

BEZZERA

Dal 1901

B2013 AL

COD. 9942061.01

REV. 02 ed.11/17



BEZZERA

B2013 AL

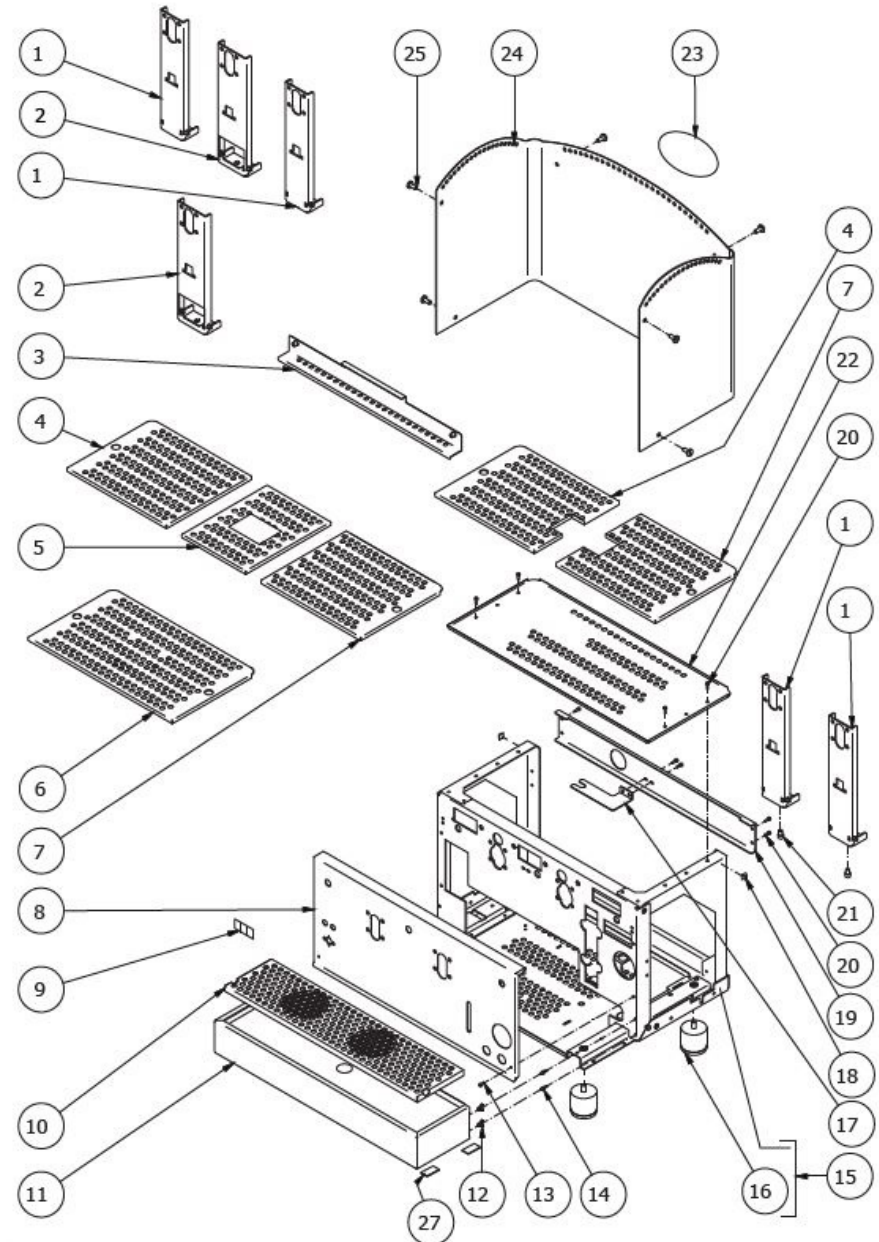
TABLE 1
B2013 AL

POS	CODE	DESCRIPTION
1	5036101LL	FRAME REINFORCEMENT DX-SX 2/3GR. W/COMPASSES
2	5036102LL	FRAME REINFORCEMENT 1/3GR AL W/COMPASSES
3	5038442LL	SUPPORT BODYWORK 1GR W/COMPASSES
3	5038443LL	SUPPORT BODYWORK 2GR W/COMPASSES
3	5038444LL	SUPPORT BODYWORK 3GR W/COMPASSES
4	5074669LW	CUP WARMER GRID SX 2GR FIREPLACE
4	5074648LW	LEFT CUPS-HEATER GRID 2GR
5	5074667LW	CUP WARMER GRID 3GR. FIREPLACE
5	5074649LW	CENTRAL CUPS-HEATER GRID 3GR
6	5074646LW	CUPS-HEATER GRID 1GR
7	5074647LW	RIGHT CUPS-HEATER GRID 2GR
7	5074670LW	CUP WARMER GRID DX 2GR FIREPLACE
8	5074490SG	FRONTAL GROUP 2GR WITH GAS
8	5074491SG	FRONTAL GROUP 3GR WITH GAS
8	5074492SG	FRONTAL GROUP 1GR WITHOUT GAS
8	5074493SG	FRONTAL GROUP 2GR WITHOUT GAS
8	5074494SG	FRONTAL GROUP B2013 AL 3GR. SERIGRAPHY
8	5074489SG1	FRONTAL GROUP 1GR WITH GAS AND L/A
8	5074490SG1	FRONTAL GROUP 2GR WITH GAS AND L/A
8	5074491SG1	FRONTAL GROUP 3GR WITH GAS AND L/A
8	5074489SG	FRONTAL GROUP 1GR WITH GAS
9	5521524	ITALIAN FLAG LABEL
10	5074644LW	DRIP TRAY GRID 2GR
10	5074645LW	DRIP TRAY GRID 3GR
10	5074643LW	DRAIN GRID 1GR.
11	5968113.02	ASSY TRAY 2GR LOGO+MAGNET
11	5968114.02	ASSY TRAY 3GR LOGO+MAGNET
11	5968112.02	ASSY TRAY 1GR LOGO+MAGNET
12	5471533	SPRING
13	7819901	SCREW TTEI M4X12 ISO 7380 A2 INOX

BEZZERA

B2013 AL

TABLE 1
B2013 AL



BEZZERA

B2013 AL

TABLE 1
B2013 AL

POS	CODE	DESCRIPTION
14	5244008NC	STUD M4X22.6 AVP NICHEL-PLATED
15	5964649	CHASSIS 1GR
15	5964650	CHASSIS 2GR
15	5964651	CHASSIS 3GR
16	7474215	FEET
17	5037844LL	PRESSOSTAT SUPPORT
18	7474217	ADHESIVE FEET 12,7 H5,8
19	5035724LW	BACK CROSS FRAME 2GR
19	5035726LW	BACK CROSS FRAME 3GR
19	5035725LW	BACK CROSS FRAME 1GR
20	7816002	SCREW TCEI M4X12 UNI 5931 A2
21	7816013	SCREWS TCEI M8X12 UNI5931 A2
22	5056339LW	CUP WARMERS 2GR.
22	5056340LW	CUP WARMERS 3GR.
22	5056338LW	CUP WARMERS 1GR.
23	5521525	GOLDEN LABEL SNAKE MILANO ITALY
24	5091722LW	B2013 AL BODYWORK 3GR
24	5091720LW	B2013 AL BODYWORK 1GR
24	5091721LW	B2013 AL BODYWORK 2GR
25	5227003NE	SCREW M8 X 18 OT NICKEL-PLATED
27	7471204	MAGNET

BEZZERA

B2013 AL

TABLE 1
B2013 AL

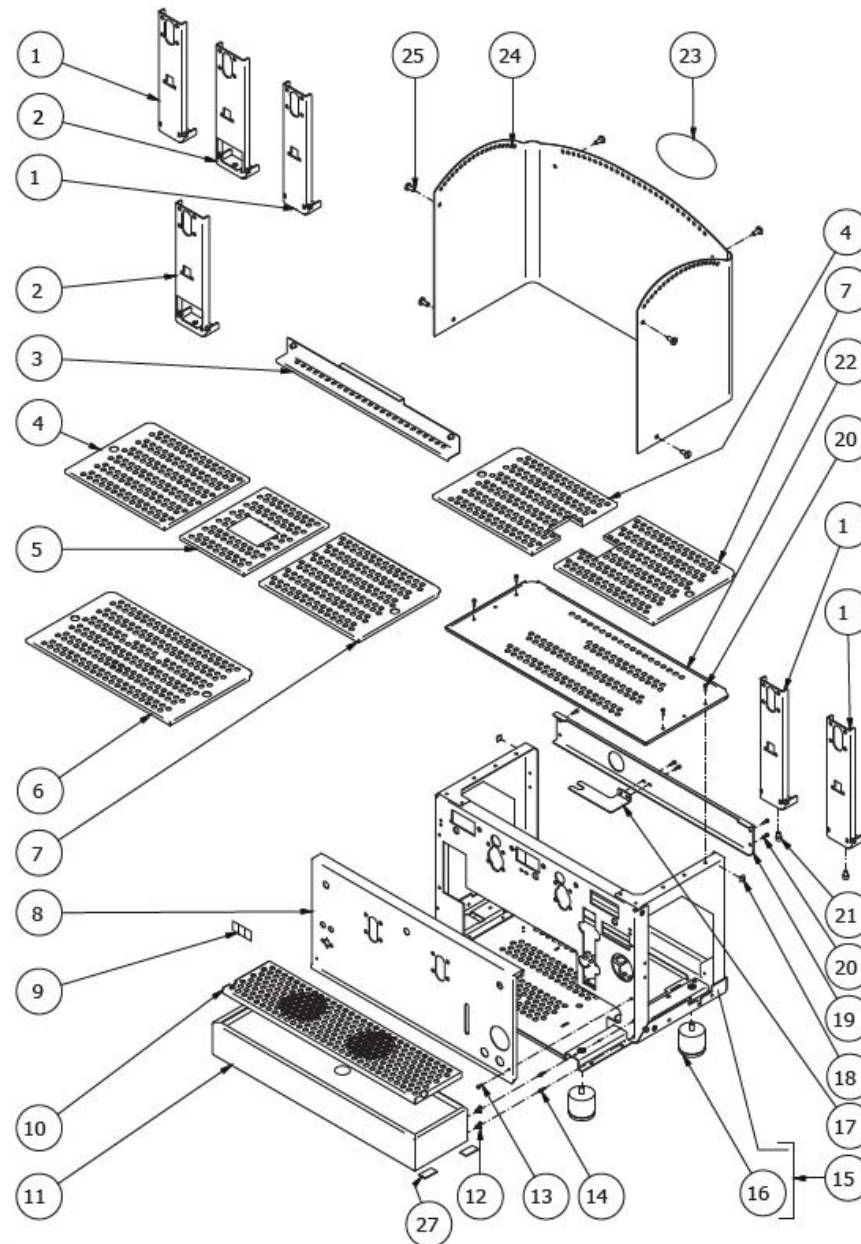


TABLE 2
B2013 AL

POS	CODE	DESCRIPTION
1	7434001	THERMOSTAT MANUAL
2	7816017	SCREW TCEI M4X6
3	7816002	SCREW TCEI M4X12 UNI 5931 A2
4	7612513	4 CONTACTS CLIP
5	5032403.01LL	ELECTRIC BOX B2013 AL W/COMPASSES
6	7633337	BASE SWITCH 1POS.6CONT.NA
6	7633335	SWITCH BASE 2POS. 6 CONTACTS
7	5859919	THICKNESS
8	7633626	RED LED
9	7371513	BLACK KNOB D40
9	7371521	BLACK KNOB
10	7633625	ORANGE LAMP
11	7614002	CABLE-PRESS PG21 POLYAMIDE
12	7614004	NUT PG21 ES.30 H6 POLYAMIDE
13	7303503	PIPE D12.7X18.8 3/4FC L=200CM
14	5225294	FITTING M/F 3/4X3/8
15	5374501.01	BLACK DRAIN BASIN NYLON
16	3551501	CONNECTING CABLE SOOW 3X12 AWG (1 G
16	3556003	CONNECTING CABLE SOOW 3X10 AWG (2-3
16	3552404.02	CABLE H07RNF 3X2.5-2,2MT S/KIT
16	3552703.01	CABLE H07RNF 3X4-2,2MT WITHOUT KIT
16	3553904.02	CABLE H07RNF 5X2.5-2,2MT S/KIT

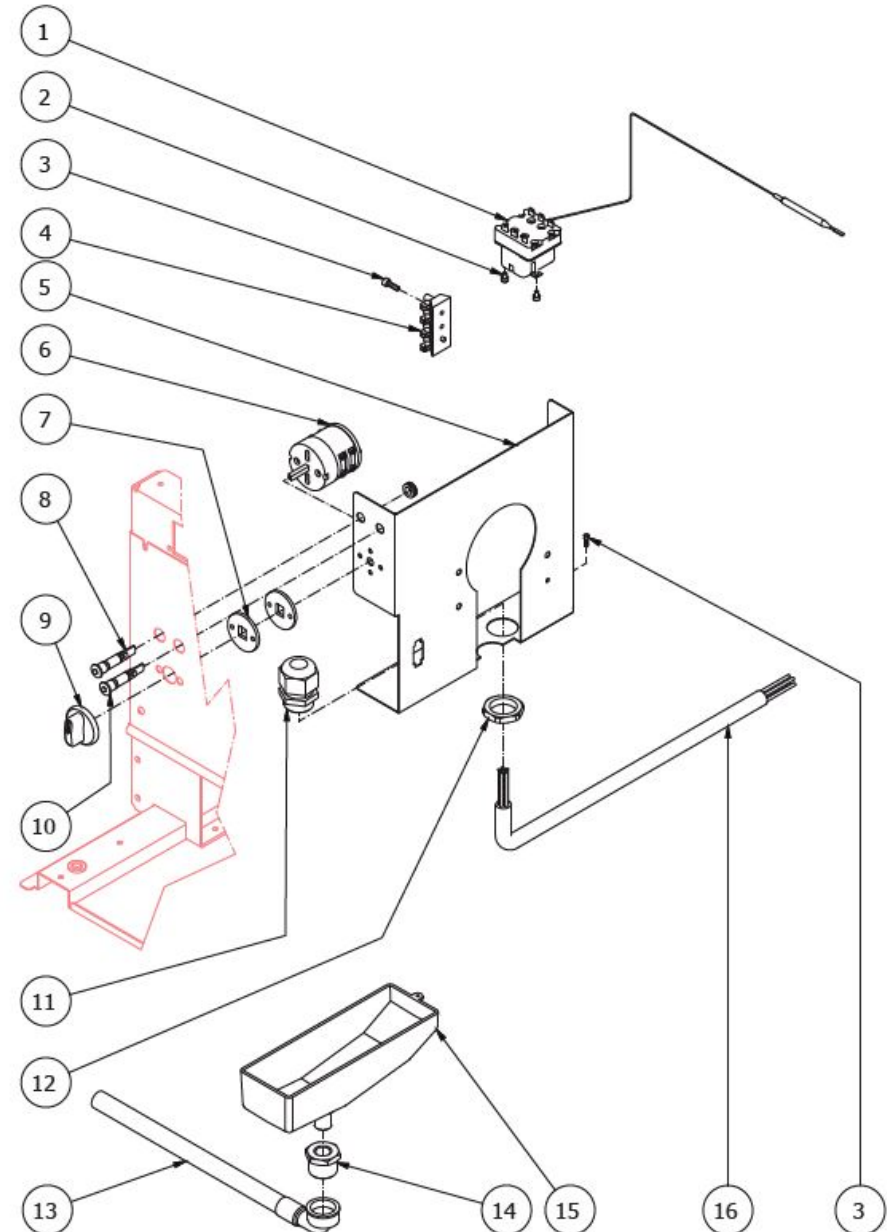
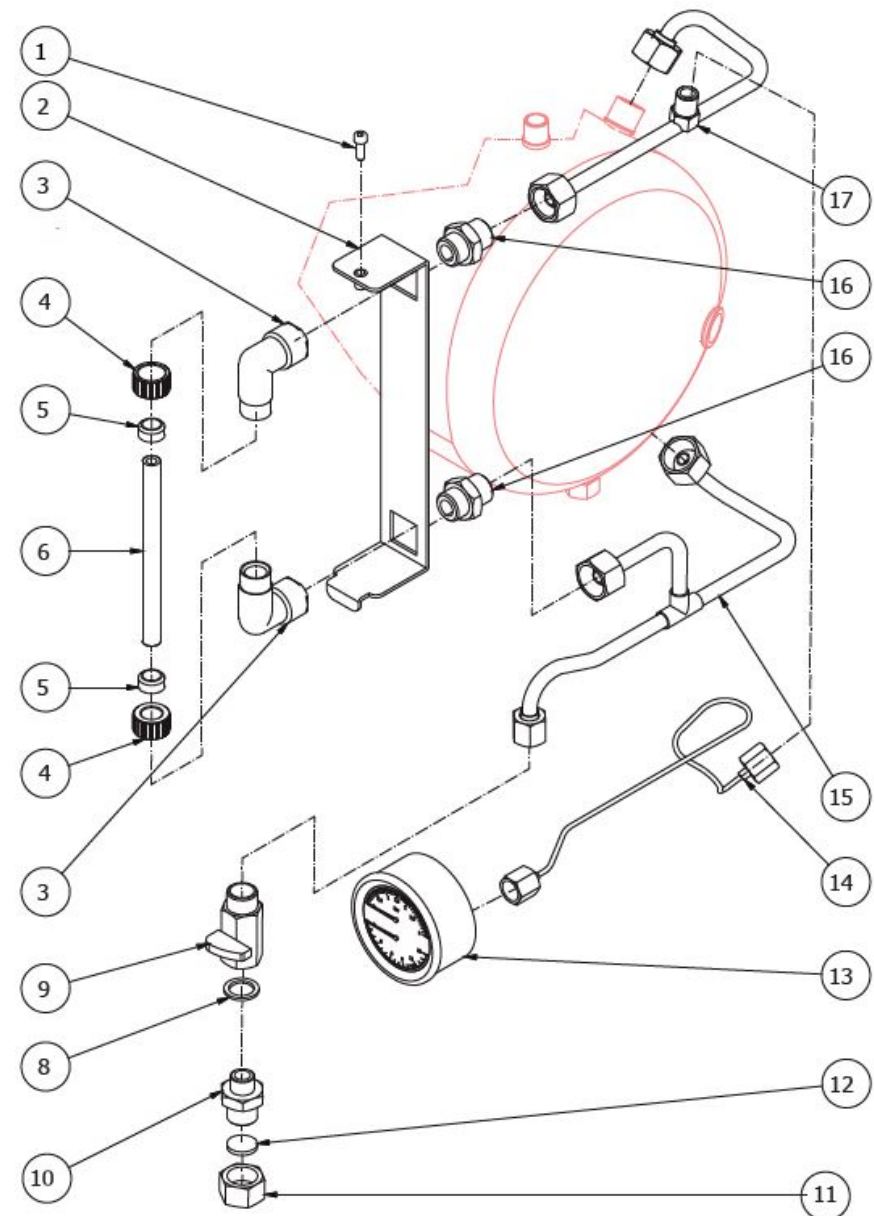
TABLE 2
B2013 AL

TABLE 3
B2013 AL

POS	CODE	DESCRIPTION
1	7816002	SCREW TCEI M4X12 UNI 5931 A2
2	5038439LL	GLASSLEVEL SUPPORT W/COMPASSES
3	5302514	UNION ELBOW
4	5221836	RING NUT 3/8
5	5493004	GASKET D14.5 X 10 X 7 RUBBER 75SH
6	5430505	LEVEL HOSE D10 X 2.2 L=120 PIREX
8	5221869	WASHER D14 X 20 X 1.5 COPPER
9	7451504	ASSEMBLY TAP
10	5302078	FITTING 1/4"G X 3/8"G
11	5221819	CAP NUT 3/8
12	5492011	GASKET D15X3 ASBESTOS FREE
13	7432507.01	PRESSURE GAUGE D60 3BAR 1/8
14	7400901	PRESSURE GAUGE CAPILLARY
15	5163343LL	BOTTOM LEVEL HOSE
16	5302011	STRAIGHT FITTING 3/8
17	5163332LL	UPPER LEVEL HOSE

TABLE 3
B2013 AL

BEZZERA

B2013 AL

TABLE 4
B2013 AL

POS	CODE	DESCRIPTION
1	5963704	LEVEL GROUP COMPLETE B2013 WITHOUT
2	5370601	LEVER GROUP CAP
3	7817401	SCREW TCS M5X8 DIN 964 A2
4	5287003NC	JOINT M16 GR.AL NICH.W/BUSH X GRAIN
5	7800601	RING D9 UNI 7434 R150
6	7471801	BALL BEARING D35 X 10 X 11
7	5244006	STUD D11 X 61 PR80
8	5284501.01NC	LEVER GROUP FORK NIK.
9	5244007CN	STUD D9 X 29 CARBONITRIDED
10	5287507	GEAR HEAD
11	5473001	UPPER VIBRATION DAMPER
12	5473002.01	BOTTOM VIBRATION DAMPER
13	7816004	SCREW TCEI M4X16 A2
14	5471537	SPRING D46X130 AISI 302
15	5221863CM	CAP NUT M8 ES.14 H17 OT CHROMED
16	5283056TW	LEVER BODY GROUP
17	5470512	SHOWER D58X19 AISI304
18	7493008	CONICAL GASKET H9.3 NBR 90SH PEROS.
19	5301501TR	UNION ELBOW
20	5302001	STRAIGHT FITTING 1/4
21	7816015	SCREW TCEI M8X25 UNI 5931 A2
22	5226402CM	PLUG 1/8
23	7491001	LIP SEAL D51 41 X 8 NBR 75SH
24	5224201	PISTON D50 OT
25	5260201	SHAFT D20X 139 AISI303
27	5960506.02	LEVEL COMPLETE
28	5263202CM	CHROMATIC LEVER ES22X116
29	7371502	FILTER-HOLDER KNOB
30	5373915	PLUG
31	5263203CM	LEVEL D.21,5X120

BEZZERA

B2013 AL

TABLE 4
B2013 AL

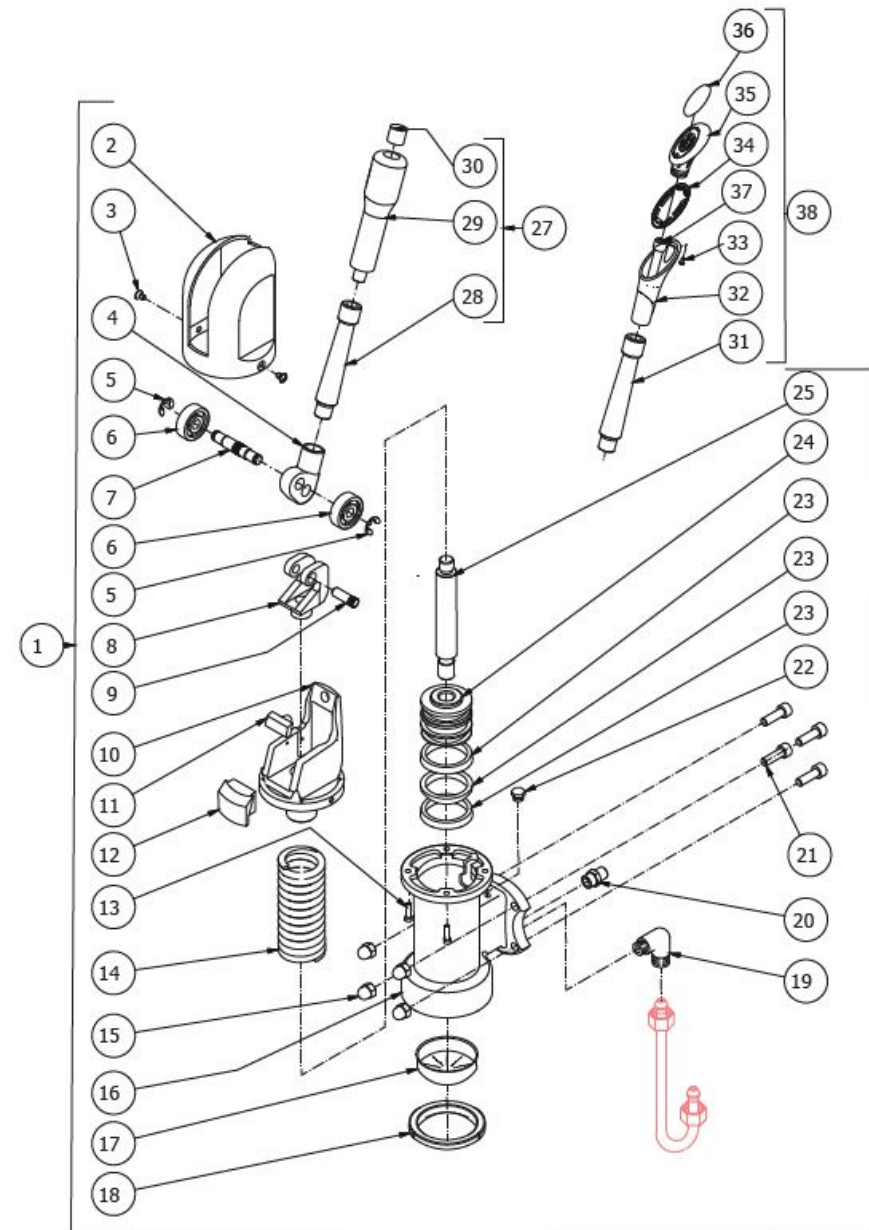


TABLE 4
B2013 AL

POS	CODE	DESCRIPTION
32	5371203	HANDLE
33	7809810	SCREW PLAS FIX 45 TC POZI D.3,5X10
34	7493021	GASKET FOR LOGO HANDLE
35	5371204	PLUG CHROMED
36	5371205	PLATE WITH LOGO
37	7816026	SCREW TCEI M12X60
38	5978508.01	HANDLE WITH LOGO/GASKET

TABLE 4
B2013 AL

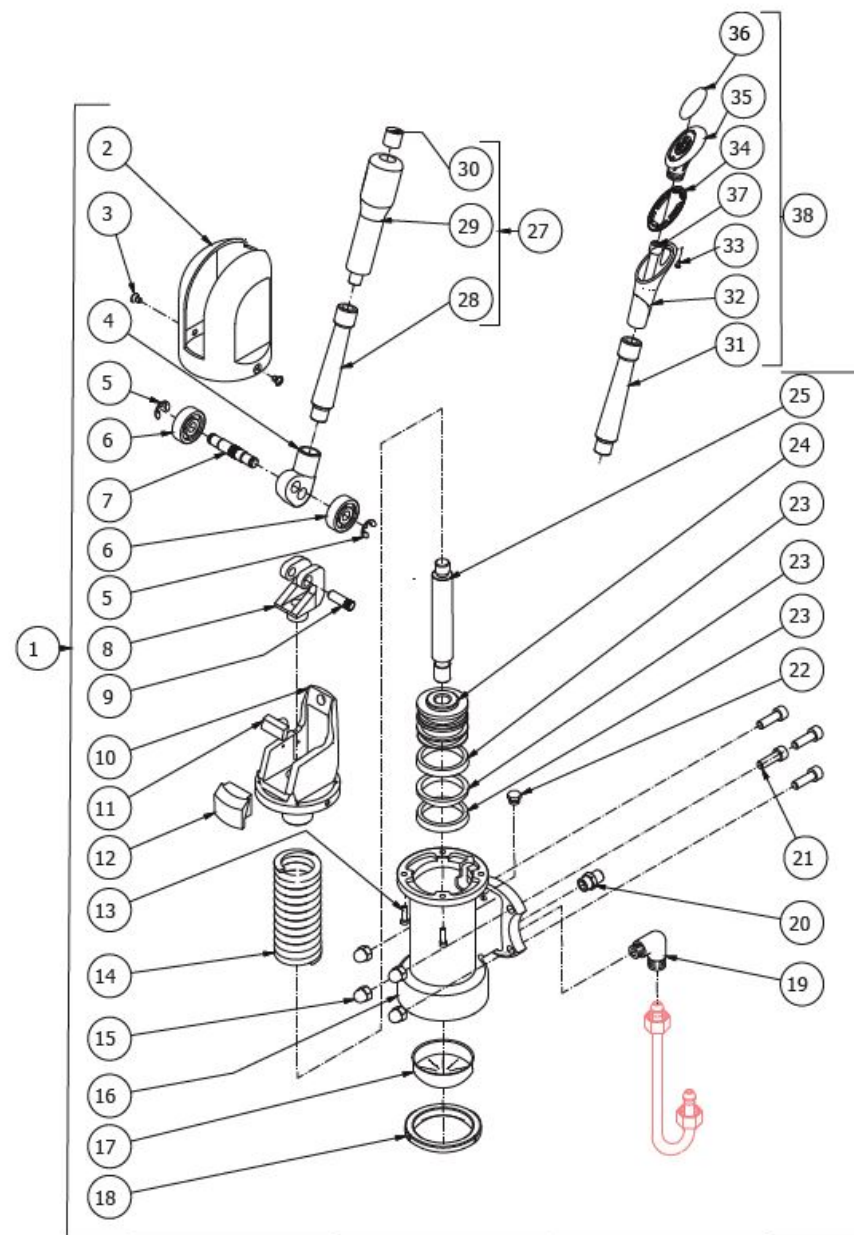


TABLE 5
B2013 AL

POS	CODE	DESCRIPTION
1	5321024BL	BOILER FB 2GR POLISHED
1	5321521BL	BOILER FB 3GR POLISHED
1	5320525BL	BOILER FB 1GR POLISHED
2	5722241AL	HEATING ELEMENT 220/240V-1850/2200W
2	5721131	HEATING ELEMENT 2GR 2600W 110/120V
2	5722248	HEATING ELEMENT 2GR 220V 4500W
2	5721132	HEATING ELEMENT 3-4GR 3000W 110/120V
2	5722243	HEATING ELEMENT 3GR 4600/5450W 220/240V
2	5722249AL	HEATING ELEMENT 110 1400W 3 ELEM.
3	5492006	GASKET D76 X 39 X 2 ASBESTOS FREE
4	7615003	FASTON 45° HOLE D4.3
5	7814001	WASHER D4 DIN 6798A A2
6	7826212	SCREW TCI M4X6 UNI 6107 OT
7	7816423	CREW TE M8X18 UNI5739 A2
8	5226405TP	CAP 1/4
9	7433001	PRESSOSTAT SIRAI P302/6
10	5963047	CUP+O-RING+PLUG
11	5965015.06	COMPLETE SAFETY VALVE 1,65 BAR
12	5264017.01DC	STUD
13	7496094	O-RING GASKET 102 VITON 70SH
14	5226417.01DC	PLUG 1/8
15	5302011	STRAIGHT FITTING 3/8
16	5492021	GASKET D18x10x2
17	5164089LL	BOILER SECURITY VALVE TUBE

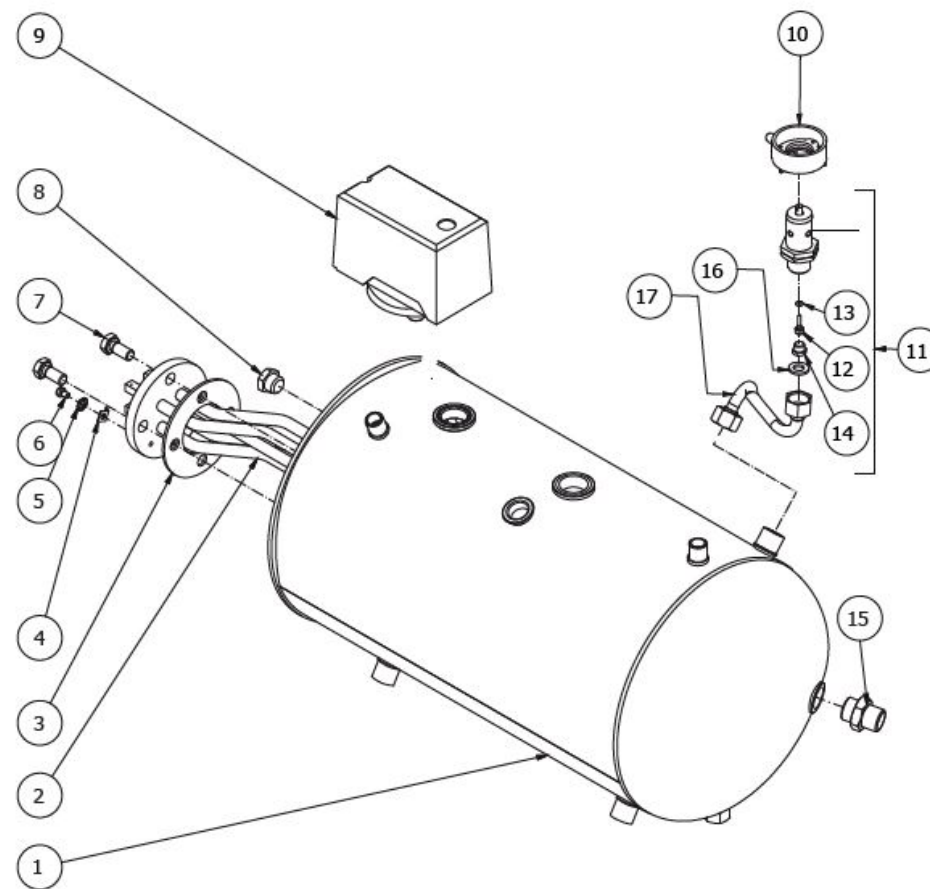
TABLE 5
B2013 AL

TABLE 5A
B2013 AL

POS	CODE	DESCRIPTION
1	5265804	LEVEL PROBE D3 X 110 X 6.3
2	5225205	STRAIGHT FITTING M10 OT
3	5192001	PROBE SHEATH D8 X 45 HOLE D3 PTFE
4	5225209TP	STRAIGHT FITTING 1/4
5	7661042.01	LEVEL REGULATOR 1S 220/240V NO TIME
5	7661045	LEVEL REGULATOR 1S 110V NO TIME OUT
6	5163335LL	OUTLET HOSE L/A
7	5300511	FITTING 3/8
8	5965076.01	ASSEMBLY COMPLETE CHECK VALVE
9	5302018	STRAIGHT FITTING M12 X M13 H26.5 OT
10	5471505	CALIBRATED SPRING D0.45 H22 AISI302
11	5224615TP	GASKET-HOLDER
12	7496018	OR GASKET 105
13	5221416	BODY VALVE RETENTION L/A ES.16X42
14	5163331LL	BOILER LOAD HOSE
15	5163334LL	INLET AUTOMATIC LEVEL HOSE
16	7200504	FLEXIBLE HOSE 3/8
17	5471019	FILTER D8,5X5 AISI304
18	5223023	GIGLEUR M6X6 HOLE D1.5 OT
19	5225238	FITTING M13X1/8
20	7701114	PARKER SOLENOID VALVE 110/115V
20	7702312	PARKER SOLENOID VALVE 220/240V
21	7630325	SOLENOID VALVE COIL 220/240V PARKER
21	7630324	SOLENOID VALVE COIL 110V PARKER
22	7703011	SOLENOID VALVE WITHOUT COIL PARKER
23	5221858	WASHER D10 X 2 COPPER
24	5973128LL	L/A PROBE COMPLETE

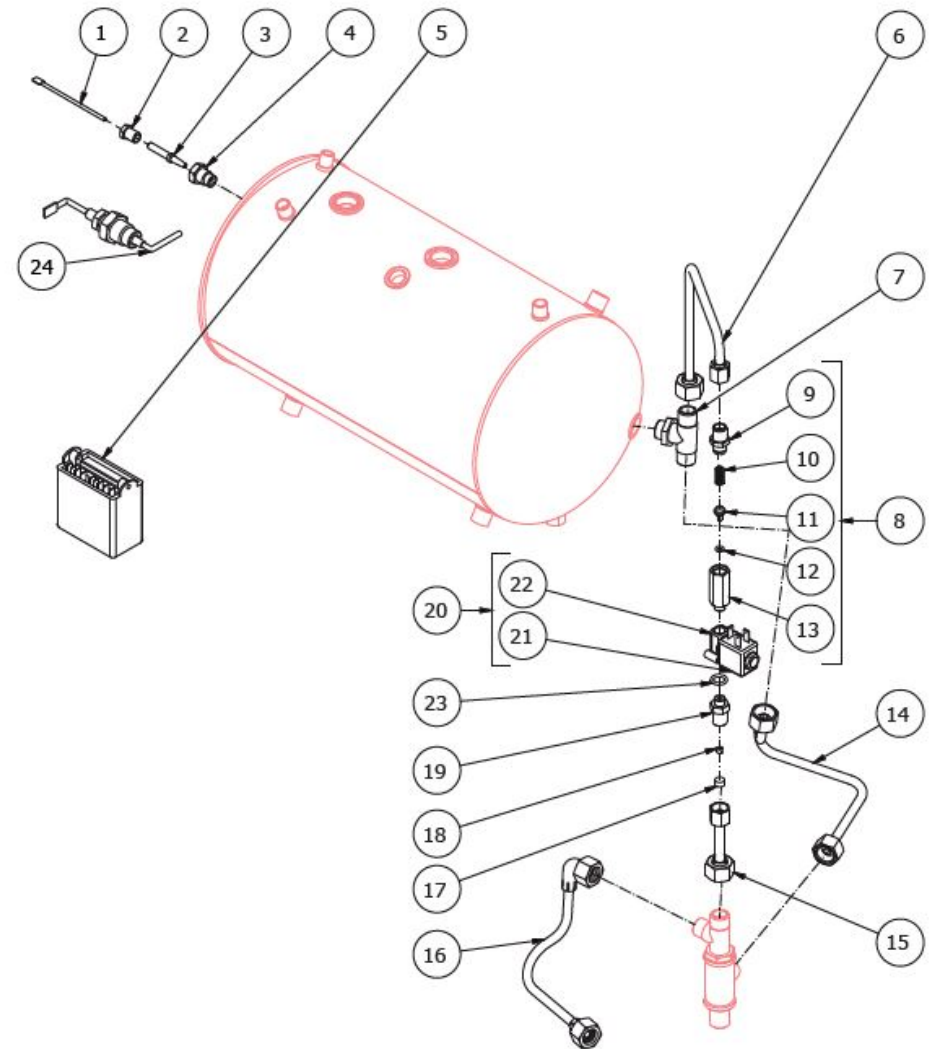
TABLE 5A
B2013 AL

TABLE 6
B2013 AL

POS	CODE	DESCRIPTION
1	5964063.02	ASSEMBLY WATER/STEAM TAP
2	5283057TW	TAP BODY
3	7822201	CAP NUT M4 OT
4	7825001	PLAIN WASHER D8 X 4 X 0.8 OT
5	5493023	TAP GASKET EPT 70SH
6	5970504.01	COMPLETE GASKET-HOLDER OVERSIZE
7	7496002	OR GASKET 115 VITON
8	7496075	OR GASKET 10,82X1,78 VITON
9	5220413CM	ROD
10	5495001CM	GASKET D28 X 1 CHROMED BRASS
11	5223402TW	NUT TAP PLUS
12	7810601	RING D7 UNI 7434 A2
13	5221804CM	NUT 3/8
14	7371509	BLACK KNOB
15	5522055	STEAM PLAQUE D.28
16	5522056	WATER PLAQUE D.28
17	7826410CM	SCREW TEB M5X10 OT
18	5966563	B2013 AL WATER PIPE COMPLETE
19	5494009	GASKET D16X13,2X2 PTFE
20	5221871TW	NUT M18X1.25
21	5225603.01TW	WATER PIPE D16 H44
22	7496003	OR GASKET 108 VITON
23	5226610TW	WATER HOSE TERMINAL D23.5X18 OT CHR
24	5493003	GASKET D20.5X15 H1.5 NBR 70SH
25	5226601TW	WATER HOSE TERMINAL
26	7479991TW	STEAM HOSE S.STEEL 4 HOLES
27	5494009	GASKET D16X13,2X2 PTFE
28	5221871TW	NUT M18X1.25
29	7371003	STEAM PIPE PROTECTION
30	7496084	GASKET OR D6,4X1,9 NBR70

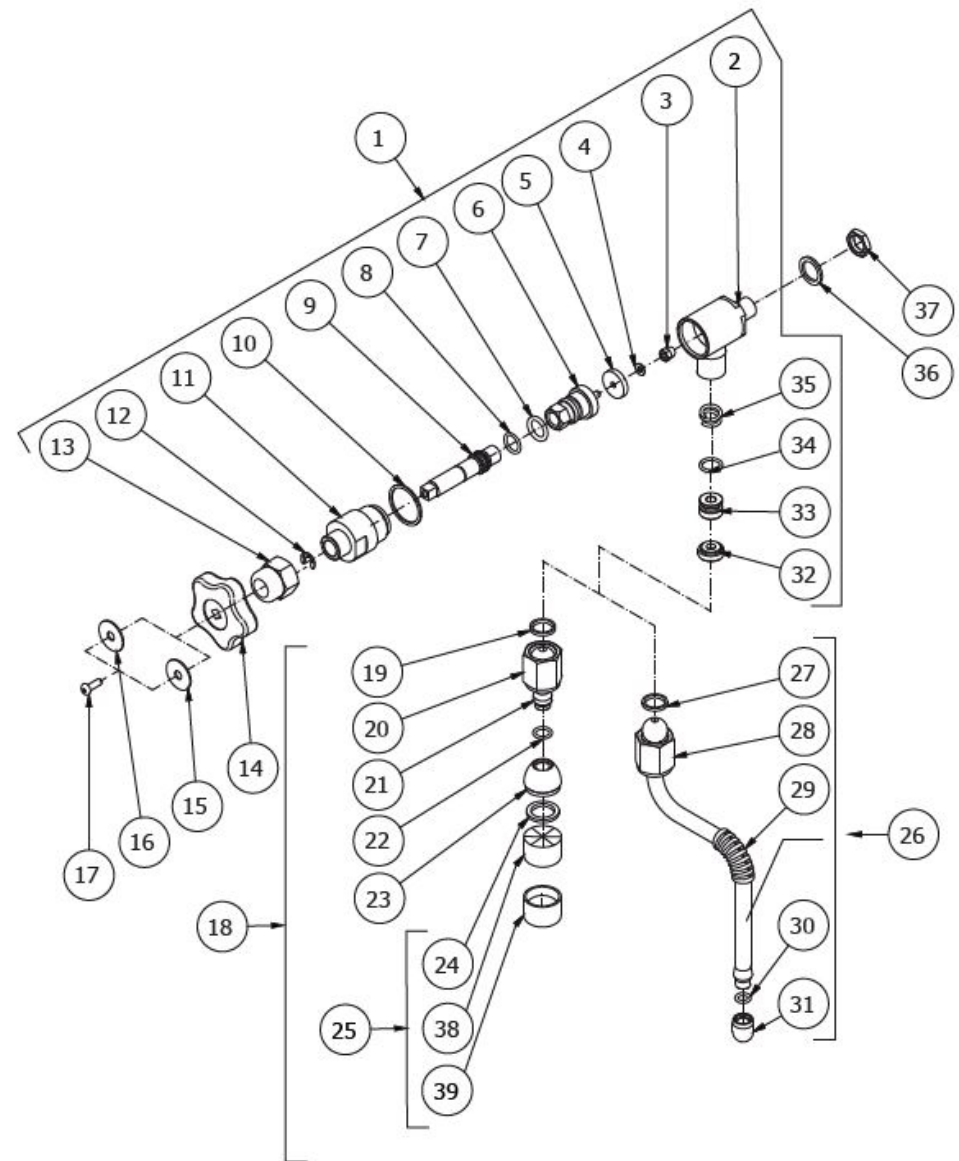
TABLE 6
B2013 AL

TABLE 6
B2013 AL

POS	CODE	DESCRIPTION
31	7305015	STEAM HOSE 4 HOLES NO BURN
32	5494002	GASKET D.16X13.1X6 PTFE GRAPHITIZED
33	5224605	GASKET-HOLDER D14.7 X 10.5 OT
34	7496076	GASKET OR 112 EP856 80SH
35	5471504	SPRING D14 AISI 302
36	5221869	WASHER D14 X 20 X 1.5 COPPER
37	5221801	NUT M13 H4 OT
38	7999918	SHOWER TERMINAL WATER
39	7305020TW	WATER TERMINAL

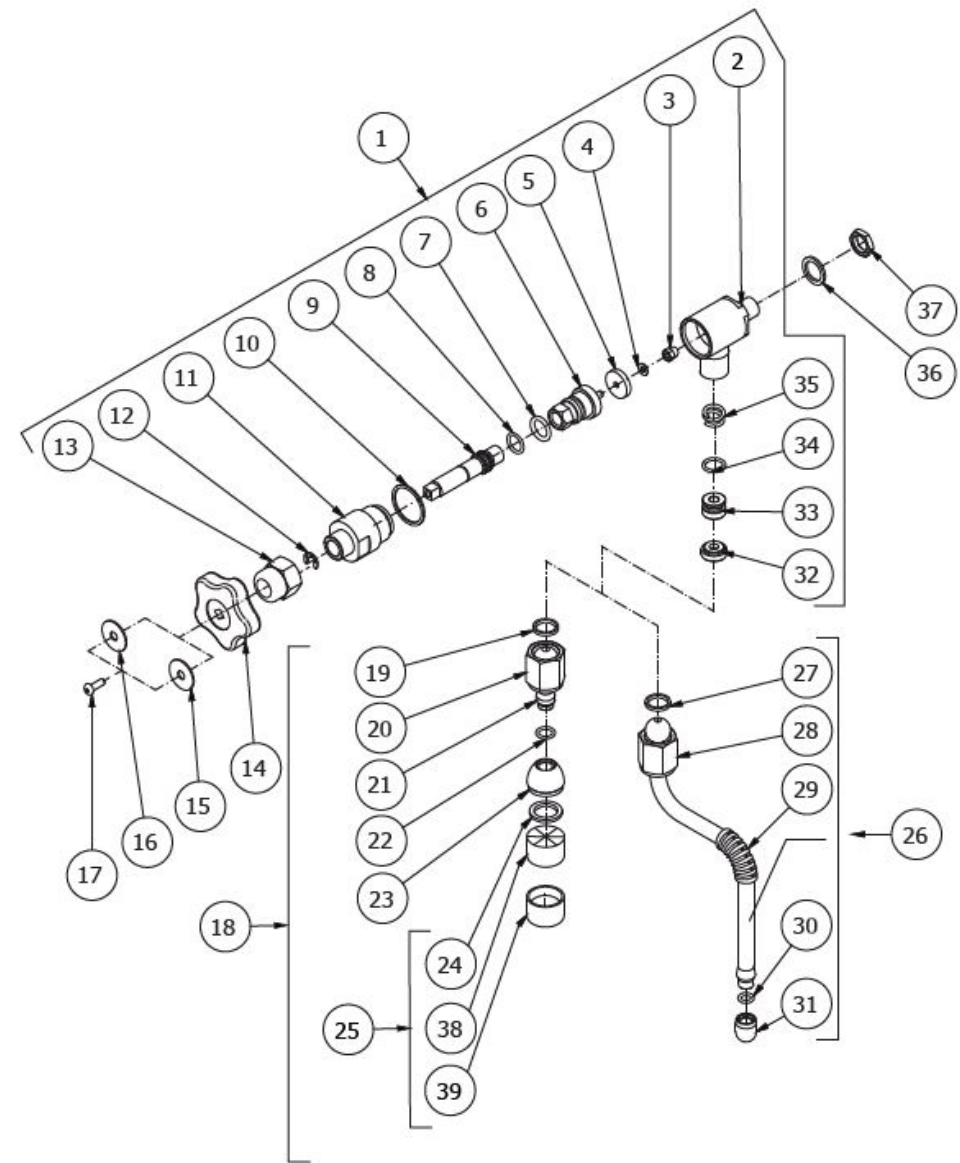
TABLE 6
B2013 AL

TABLE 7
B2013 AL

POS	CODE	DESCRIPTION
1	5301525	UNION ELBOW
2	5964058	ASSEMBLY PUMP
3	5224607	GASKET-HOLDER D15 X 16.5 OT
4	5493041	GASKET D.14X4X4 EPT 70
5	5283019	PUMP BODY OT
6	5221833	NUT M18 ES.26 H5 OT
7	5494004	GASKET D12 X 6 PTFE GRAPHITIZED
8	5220603	BUSHING D12 X 7 OT
9	5471512	SPRING D9.5 H34.5 AISI 302
10	5260202	SHAFT D12 X 65 AISI303
11	5495006	COPPER GASKET 20 X 26 X 3
12	5973054	ASSEMBLY KNOB
13	5265601	ARTICULATION D14 X 24.5 X M6 AISI 3
14	5222813CM	RING NUT M18 OT CHROMED
15	7473603	PLASTIC HANDLE M6
16	5302508	FITTING 3 WAY 3/8

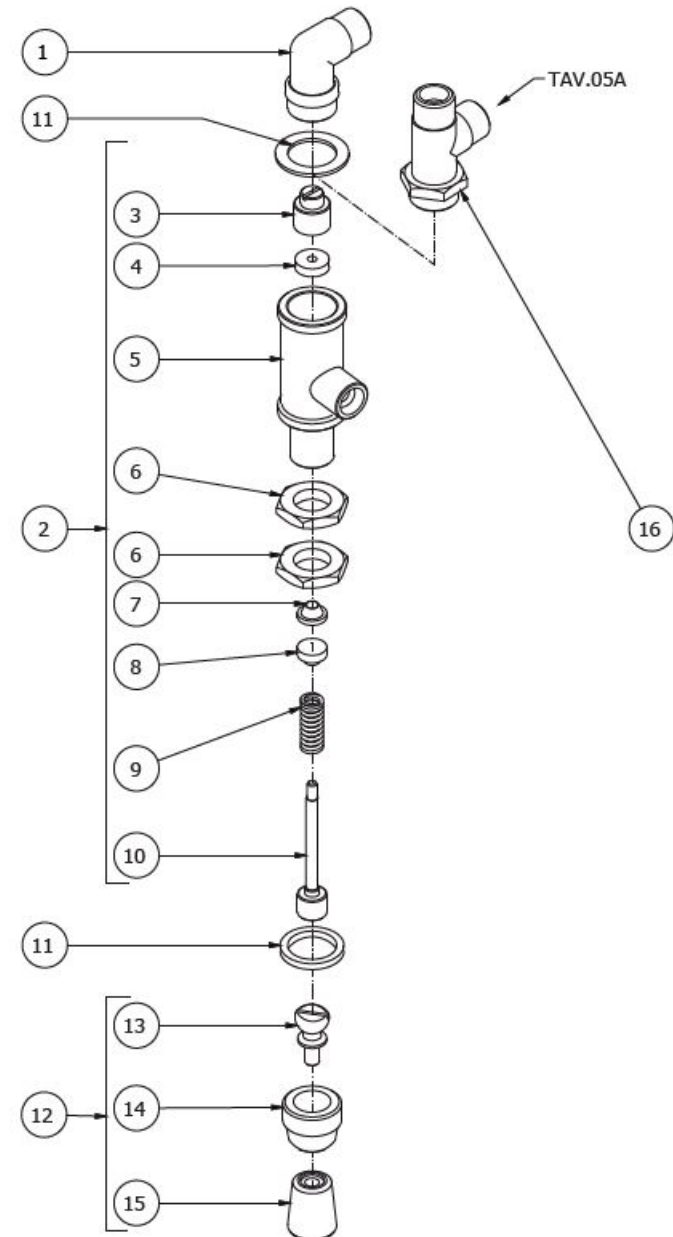
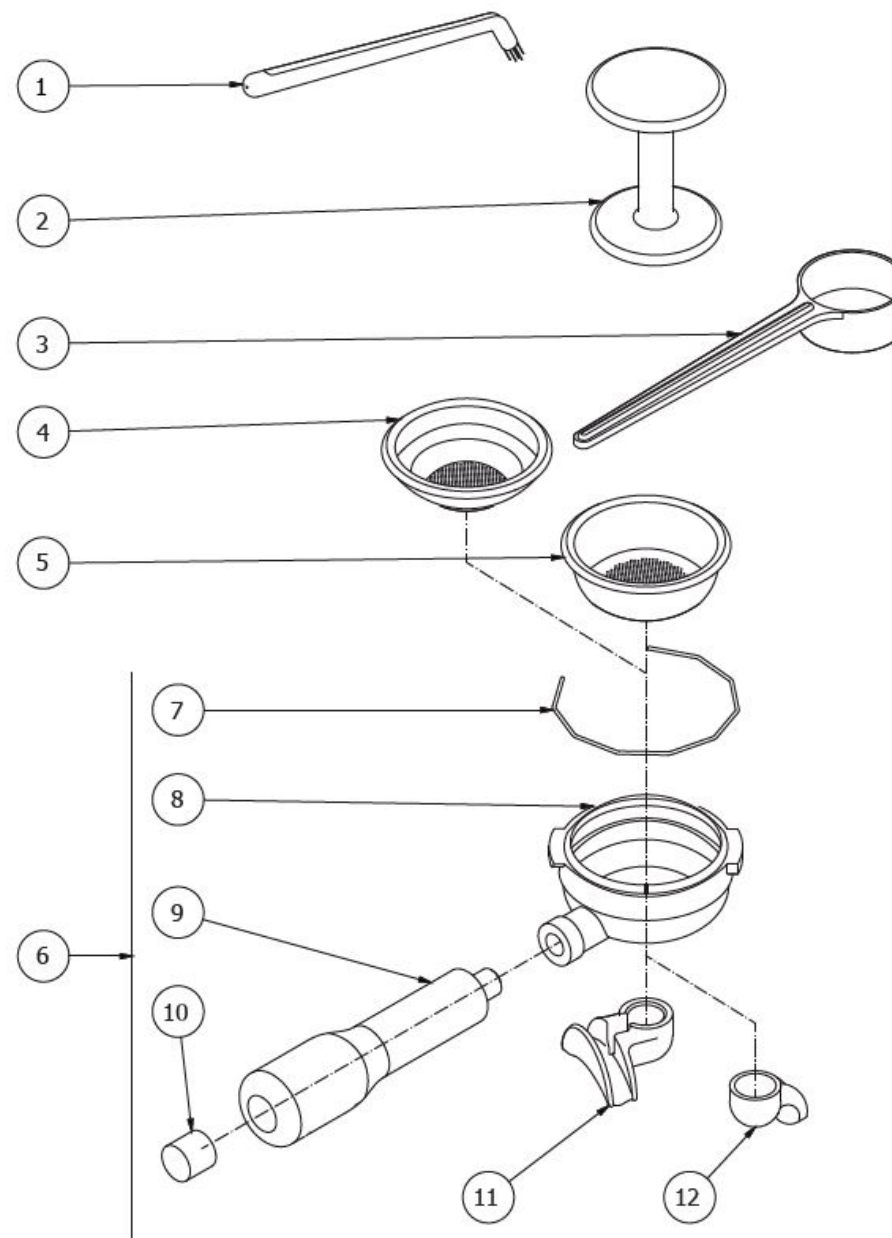
TABLE 7
B2013 AL

TABLE 8
B2013 AL

POS	CODE	DESCRIPTION
1	7990603	CLEANING BRUSH FOR COFFEE MACHINE
2	5373001	COFFEE-PRESS ABS
3	5372101	BLACK MEASURE
4	5471031.01	FILTER 1 CUP 8 GRAMS
5	5471035	FILTER 2 CUPS 16 GR RIBBED
6	5965598R	B2000 LEVEL INCLINED FILTER-HOLDER
6	5965597R	B2000 LEVEL INCLINED FILTER-HOLDER
7	5471527	FILTER-HOLDER SPRING D1.2 AISI 302
8	5286017TW	FILTER-HOLDER
9	7371502	FILTER-HOLDER KNOB
10	5373915	PLUG
11	7305007TW	SPOUT 2 WAYS WITHOUT PB+PWP
12	7305006TW	SPOUT 1 WAY S/PB+PWP

TABLE 8
B2013 AL



BEZZERA

B2013 AL

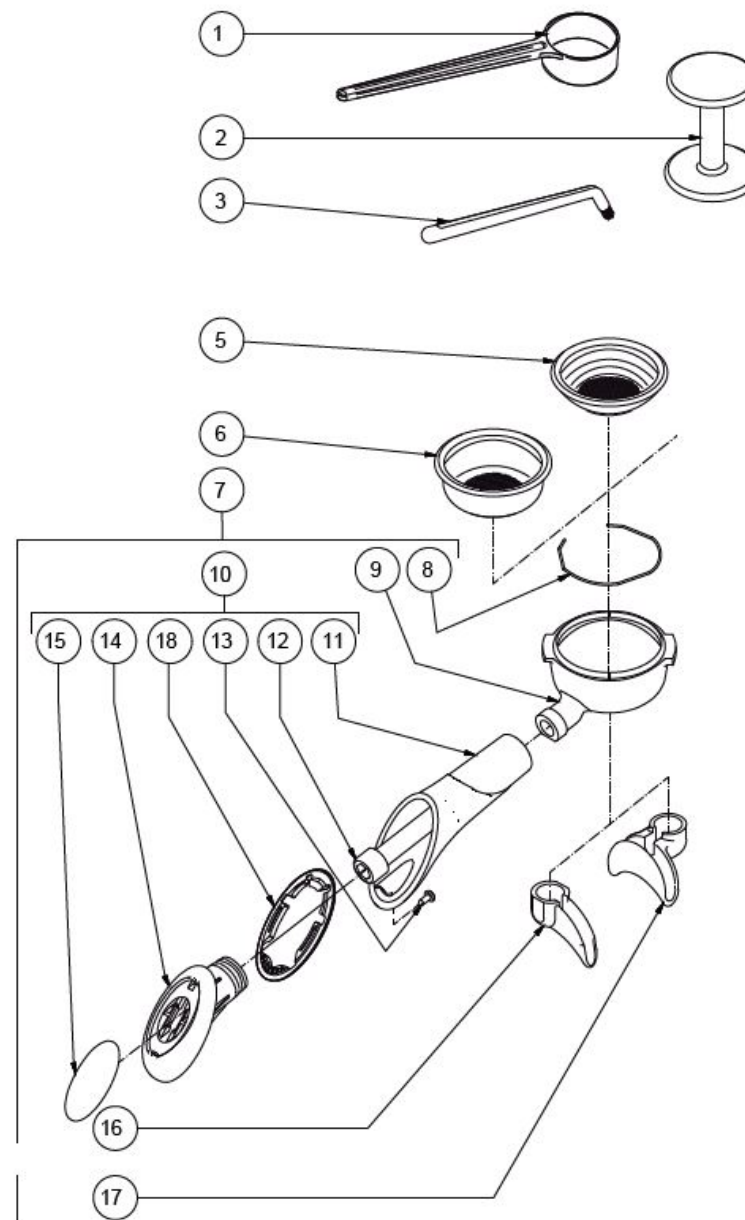
TABLE 8A
B2013 AL

POS	CODE	DESCRIPTION
1	5372101	BLACK MEASURE
2	5373001	COFFEE-PRESS ABS
3	7990603	CLEANING BRUSH FOR COFFEE MACHINE
5	5471031.01	FILTER 1 CUP 8 GRAMS
6	5471035	FILTER 2 CUPS 16 GR RIBBED
6	5471021.01	GROVEED FILTRE 2 CUPS 12 GRAMS
7	5965591.01R	STREGA FILTER-HOLDER 2 CUPS
7	5965592.01R	STREGA FILTER-HOLDER 1 CUP W/LOGO
8	5471527	FILTER-HOLDER SPRING D1.2 AISI 302
9	5286017TW	FILTER-HOLDER
10	5978508.01	HANDLE WITH LOGO/GASKET
11	5371203	HANDLE
12	7816026	SCREW TCEI M12X60
13	7809810	SCREW PLAS FIX 45 TC POZI D.3,5X10
13	7809806	SCREW TC M 3,5X8 PLASTITE
14	5371204	PLUG CHROMED
15	5371205	PLATE WITH LOGO
16	7305006TW	SPOUT 1 WAY S/PB+PWP
17	7305007TW	SPOUT 2 WAYS WITHOUT PB+PWP
18	7493021	GASKET FOR LOGO HANDLE

BEZZERA

B2013 AL

TABLE 8A
B2013 AL



BEZZERA

B2013 AL

TABLE 9C - (from 12/12/2017)
 B2013 AL Hose series 3GR

POS	CODE	DESCRIPTION
1	5162375LL	PRESSOSTAT HOSE
2	5163092LL	BY-PASS HEATING HOSE
3	5163330LL	LEFT STEAM HOSE
4	5163129LL	UPPER LEFT HEATING HOSE
5	5963128	ASSY DRAW OUT 4 WAYS 120MM
6	5163346.01LL	WATER TAP TUBE
7	5164030LL	CIRCULATION HOSE
8	5163130LL	RIGHT HEATING HOSE
9	5164029LL	SUCTION HOSE
11	7200504	FLEXIBLE HOSE 3/8
12	5163336LL	BOILER LOAD HOSE
13	5163343LL	BOTTOM LEVEL HOSE
14	7400901	PRESSURE GAUGE CAPILLARY
15	5163332LL	UPPER LEVEL HOSE
16	5163329LL	RIGHT STEAM HOSE
17	5037844LL	PRESSOSTAT SUPPORT

BEZZERA

B2013 AL

TABLE 9C - (from 12/12/2017)
 B2013 AL Hose series 3GR

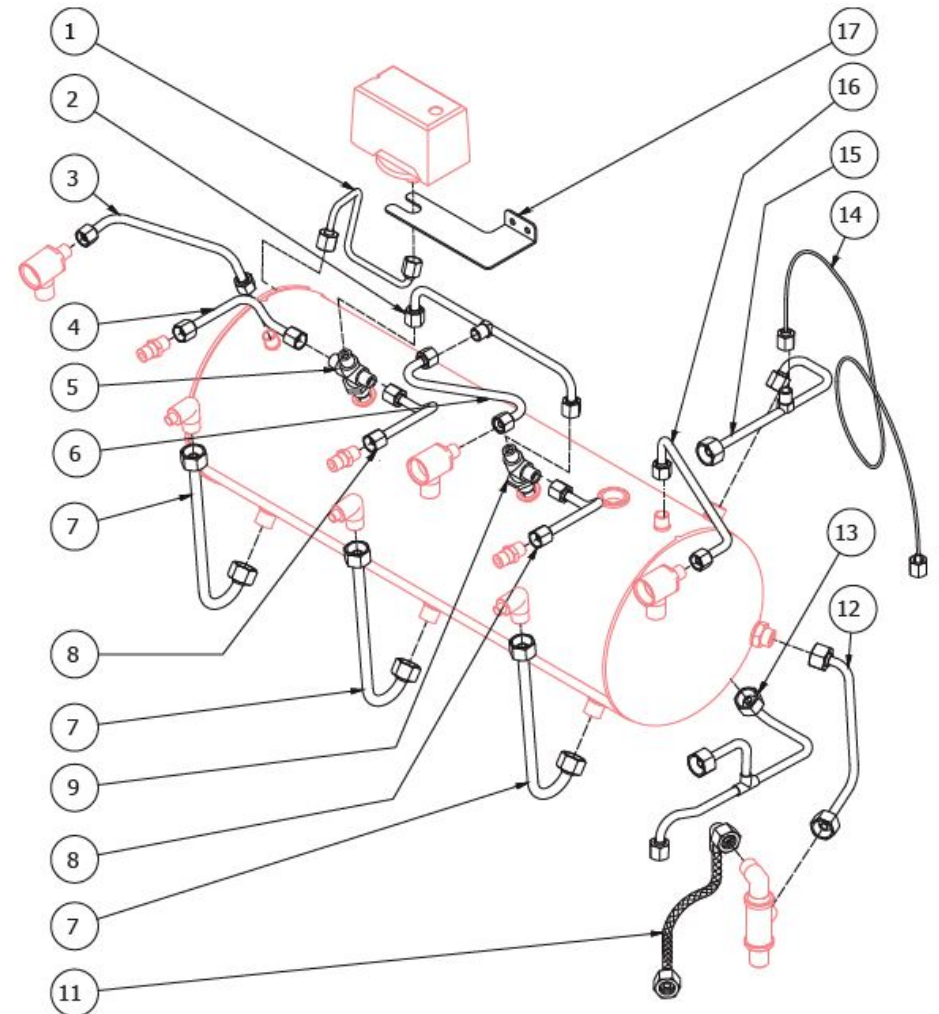


TABLE 9
B2013 AL Hose series 1GR

POS	CODE	DESCRIPTION
1	5162375LL	PRESSOSTAT HOSE
2	5163353LL	LEFT STEAM HOSE
3	5163345LL	WATER HOSE
4	5164030LL	CIRCULATION HOSE
5	5163343LL	BOTTOM LEVEL HOSE
6	7200504	FLEXIBLE HOSE 3/8
7	5163336LL	BOILER LOAD HOSE
8	5163060LL	HEATING HOSE
9	5164029LL	SUCTION HOSE
10	5163347LL	UPPER LEVEL HOSE
11	7400901	PRESSURE GAUGE CAPILLARY
12	5037844LL	PRESSOSTAT SUPPORT

TABLE 9
B2013 AL Hose series 1GR

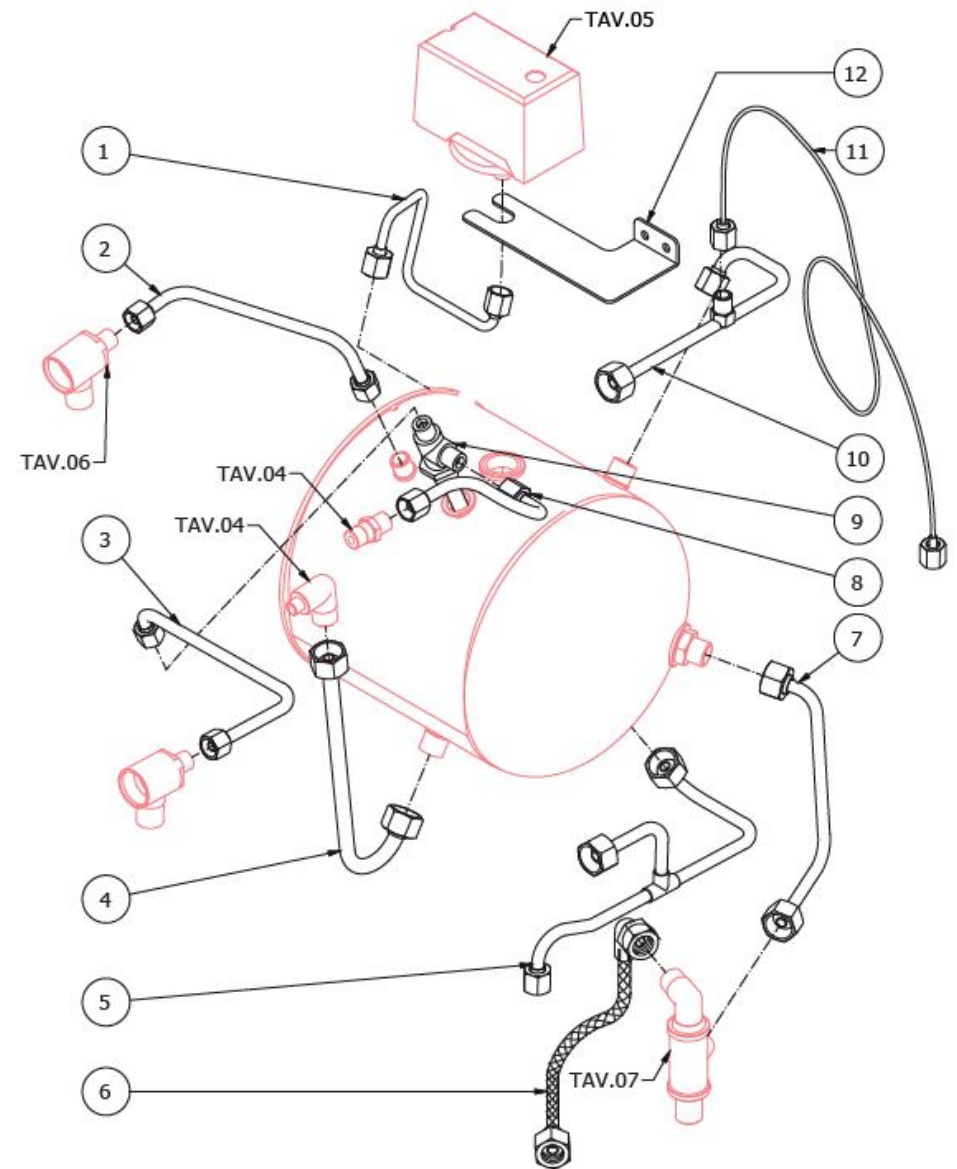


TABLE 9B - (up to 11/12/2017)
B2013 AL Hose series 3GR

POS	CODE	DESCRIPTION
1	5162375LL	PRESSOSTAT HOSE
2	5163092LL	BY-PASS HEATING HOSE
3	5163330LL	LEFT STEAM HOSE
4	5163129LL	UPPER LEFT HEATING HOSE
5	5963128	ASSY DRAW OUT 4 WAYS 120MM
6	5163346LL	WATER HOSE
7	5164030LL	CIRCULATION HOSE
8	5163130LL	RIGHT HEATING HOSE
9	5164029LL	SUCTION HOSE
11	7200504	FLEXIBLE HOSE 3/8
12	5163336LL	BOILER LOAD HOSE
13	5163343LL	BOTTOM LEVEL HOSE
14	7400901	PRESSURE GAUGE CAPILLARY
15	5163332LL	UPPER LEVEL HOSE
16	5163329LL	RIGHT STEAM HOSE
17	5037844LL	PRESSOSTAT SUPPORT

TABLE 9B - (up to 11/12/2017)
B2013 AL Hose series 3GR

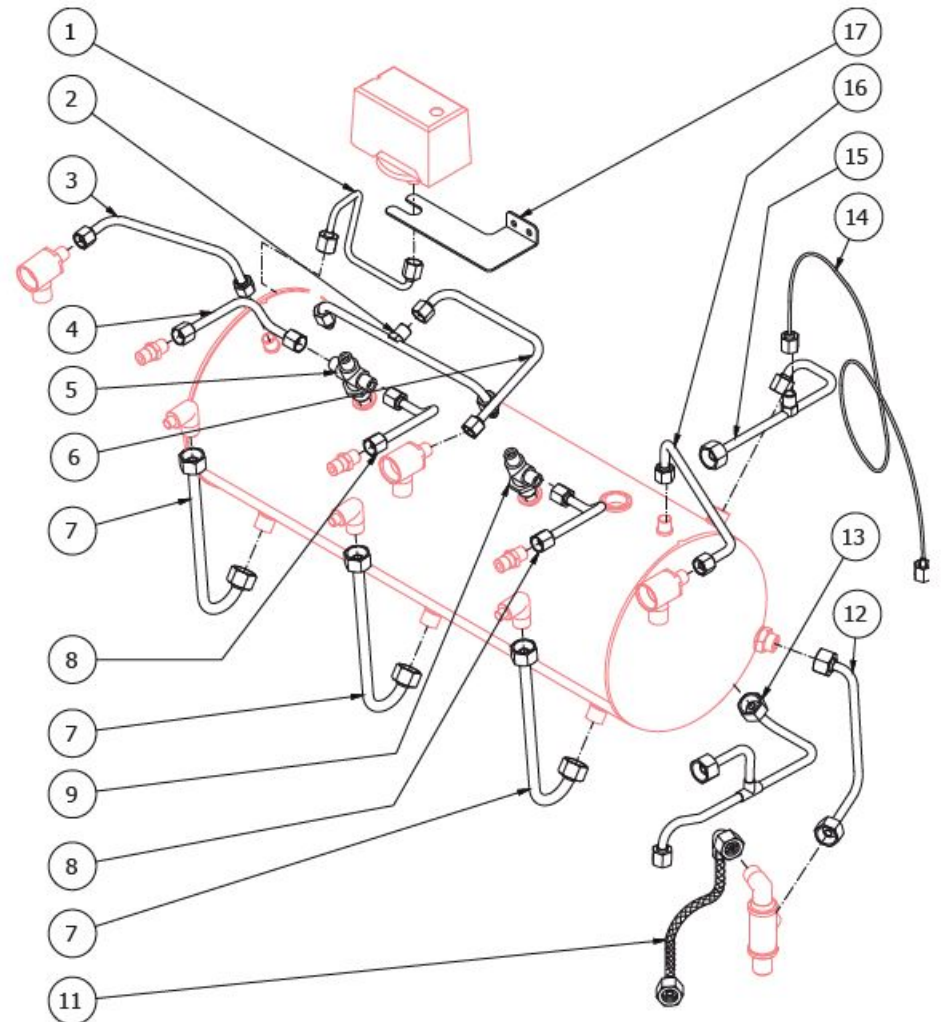


TABLE 9A

B2013 AL Hose series 2GR

POS	CODE	DESCRIPTION
1	5162375LL	PRESSOSTAT HOSE
2	5163337LL	WATER HOSE
3	5163330LL	LEFT STEAM HOSE
4	5163063LL	UPPER LEFT HEATING HOSE
5	5963128	ASSY DRAW OUT 4 WAYS 120MM
6	5164030LL	CIRCULATION HOSE
7	5163065LL	RIGHT HEATING HOSE
8	7200504	FLEXIBLE HOSE 3/8
9	5163336LL	BOILER LOAD HOSE
10	5163343LL	BOTTOM LEVEL HOSE
11	5163329LL	RIGHT STEAM HOSE
12	5163332LL	UPPER LEVEL HOSE
13	7400901	PRESSURE GAUGE CAPILLARY
14	5037844LL	PRESSOSTAT SUPPORT

TABLE 9A

B2013 AL Hose series 2GR

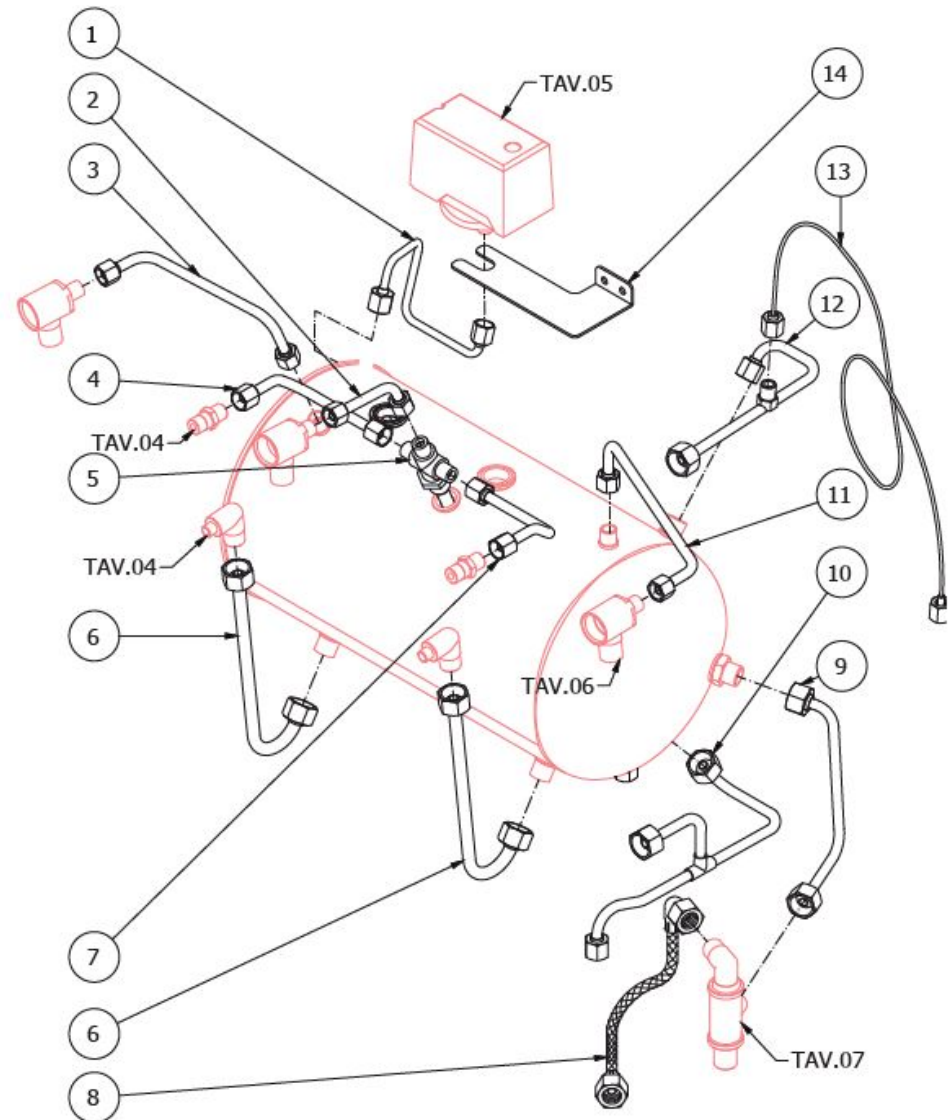
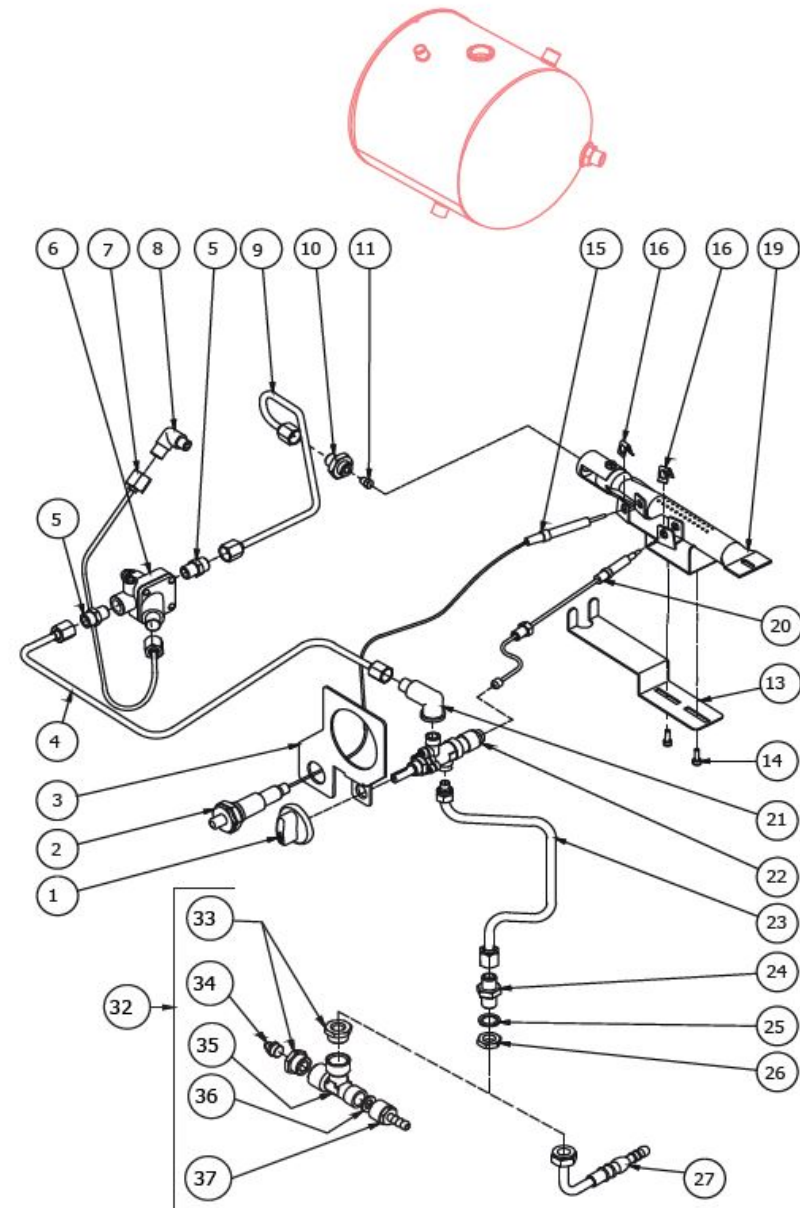


TABLE 10
B2013 AL Gas 1GR

POS	CODE	DESCRIPTION
1	7371519	KNOB
2	7400302	PIEZO IGNITION WITH NUT
3	5037847LW	TAP SUPPORT
4	5161024LL	RG10-TAP HOSE
5	5302009	STRAIGHT FITTING M12 X 1/4
6	7402410	GAS RG10 REGULATOR
7	5161017LL	BOILER-REGULATOR HOSE
8	5301504TR	UNION ELBOW 1/8
9	5162378LL	RG10-BURNER HOSE
10	5224413	INJECTOR-HOLDER
11	7303040	INJECTOR D 0,45 (MOUNTED)
11	7303025	INJECTOR D 0,8
13	5037850LW	BRACKET FOR INJECTOR
14	7816002	SCREW TCEI M4X12 UNI 5931 A2
15	7400306	CANDLE
16	7401209	CLIPS
19	7400603LL	ASSY BURNER 1GR 12+12 HOLES WITH BRACKET AND COMPASSES
20	7403005	THERMOCOUPLE
21	5301524	UNION ELBOW
22	7403602	TAP
23	5163333LL	HOSE TAP/FITTING
24	5225308	FITTING M13X1/4"G
25	5221869	WASHER D14 X 20 X 1.5 COPPER
26	5221821	NUT 1/4
27	5163211LL	RUBBER-HOLDER HOSE
32	5963151	ASSY TEE GAS+TEST POINT
33	5302086	FITTING 1/2
34	5302087	PRESSURE POINT 1/4
35	5300516	FITTING TEE 1/2
36	5492021	GASKET D18x10x2

TABLE 10
B2013 AL Gas 1GR

BEZZERA**B2013 AL**TABLE 10
B2013 AL Gas 1GR

POS	CODE	DESCRIPTION
37	5224417	RUBBERBRING 1/2

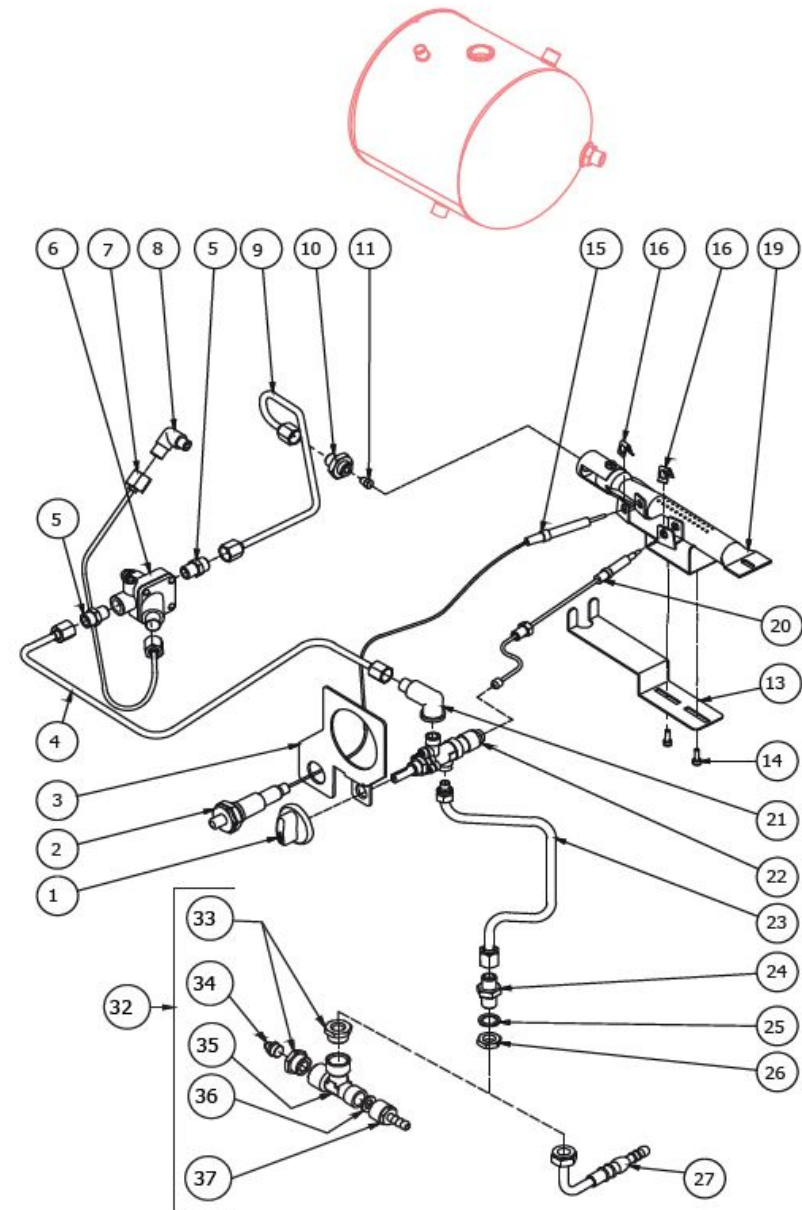
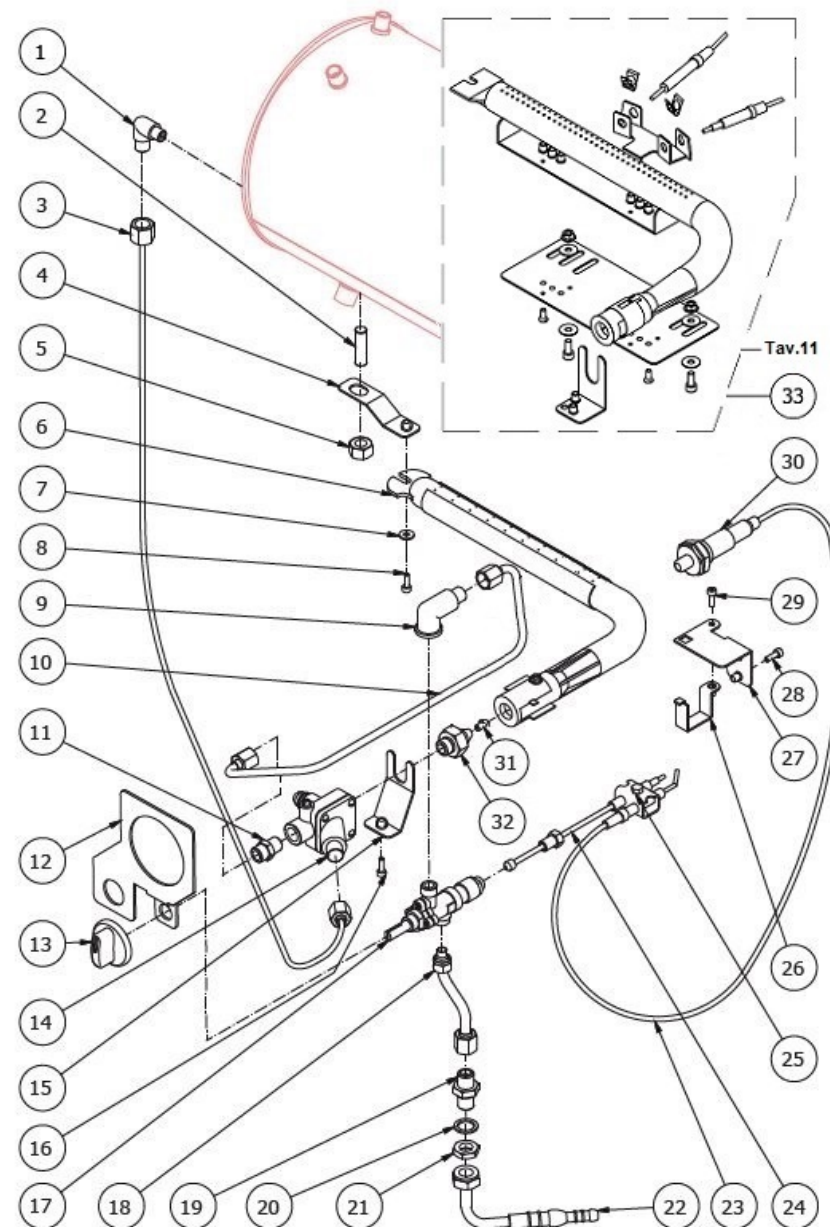
BEZZERA**B2013 AL**TABLE 10
B2013 AL Gas 1GR

TABLE 10A - (up to 06/04/2015)
B2013 AL Gas 2GR

POS	CODE	DESCRIPTION
1	5301504TR	UNION ELBOW 1/8
2	5267012	TIE ROD M10X33 ASTM A 193 B8 C/1
3	5161016LL	BOILER-REGULATOR HOSE
4	5037824LL	LEFT SUPPORT
5	7821402	NUT M10 UNI 5587 OT
6	7400600	BURNER 2GR
7	7809804	PLAIN WASHER D4 FEZN
8	7816002	SCREW TCEI M4X12 UNI 5931 A2
9	5301524	UNION ELBOW
10	5162373LL	REGULATOR-JET/BURNER HOSE
11	5302009	STRAIGHT FITTING M12 X 1/4
12	5037847LW	TAP SUPPORT
13	7371519	KNOB
14	7402410	GAS RG10 REGULATOR
15	5037823LL	BURNER SUPPORT
16	7816002	SCREW TCEI M4X12 UNI 5931 A2
17	7403602	TAP
18	5163333LL	HOSE TAP/FITTING
19	5225308	FITTING M13X1/4"G
20	5221869	WASHER D14 X 20 X 1.5 COPPER
21	5221821	NUT 1/4
22	5163211LL	RUBBER-HOLDER HOSE
23	7400305	IGNITION CANDLE
24	7403003	THERMOCOUPLE L=600
25	5479917	CLIPS
26	5037825LL	BURNER HOLDER
27	5037826LL	RIGHT SUPPORT
28	7816002	SCREW TCEI M4X12 UNI 5931 A2
29	7816002	SCREW TCEI M4X12 UNI 5931 A2
30	7400302	PIEZO IGNITION WITH NUT

TABLE 10A - (up to 06/04/2015)
B2013 AL Gas 2GR

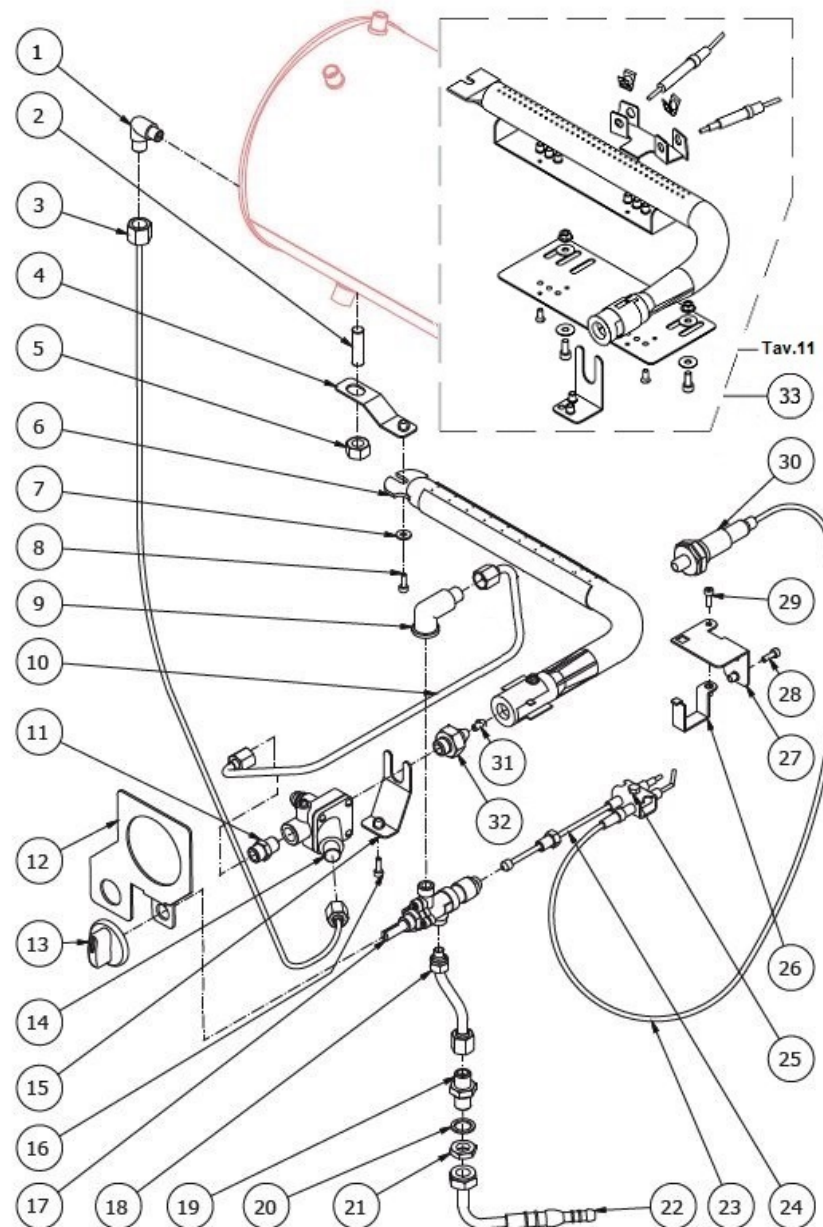
BEZZERA**B2013 AL**

TABLE 10A - (up to 06/04/2015)
B2013 AL Gas 2GR

POS	CODE	DESCRIPTION
31	7303024	INJECTOR D 0,6
31	7303025	INJECTOR D 0,8
32	5224416	PORTAGICLEUR 1/4
33	7400600R	BURNER 2 GROUPS WITH ADAPTER

BEZZERA**B2013 AL**

TABLE 10A - (up to 06/04/2015)
B2013 AL Gas 2GR



BEZZERA**B2013 AL**

TABLE 10B - (from 07/04/2015)
B2013 AL Gas 2GR

POS	CODE	DESCRIPTION
40	5492021	GASKET D18x10x2
41	5224417	RUBBERBRING 1/2

BEZZERA**B2013 AL**

TABLE 10B - (from 07/04/2015)
B2013 AL Gas 2GR

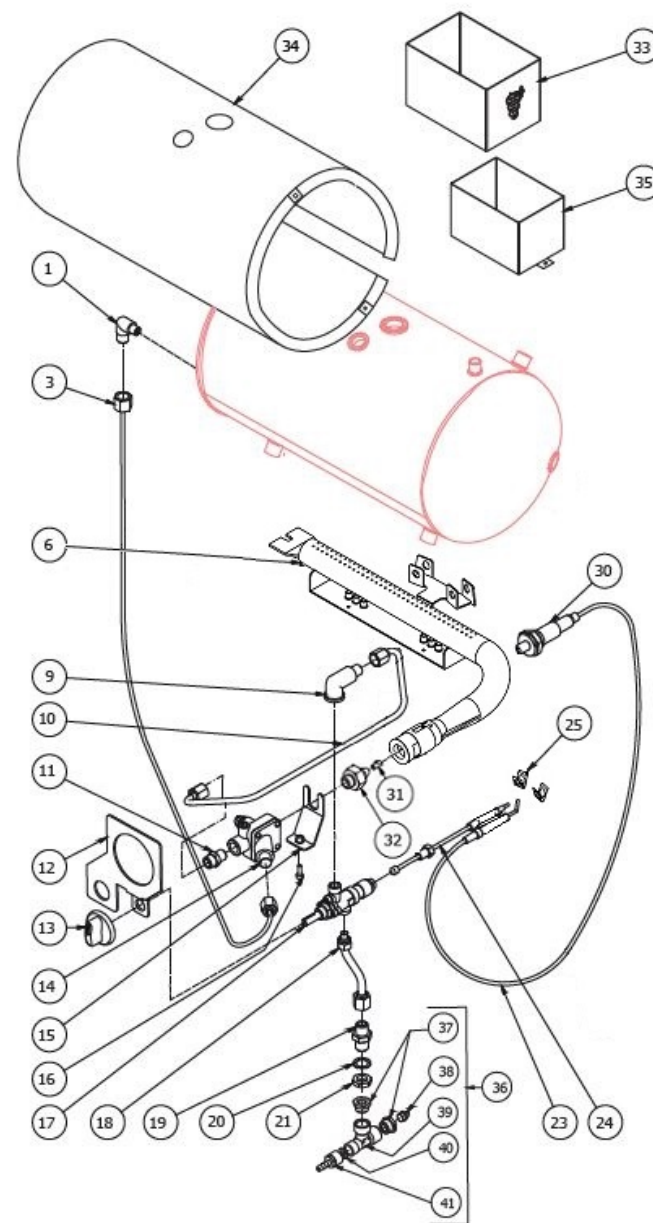
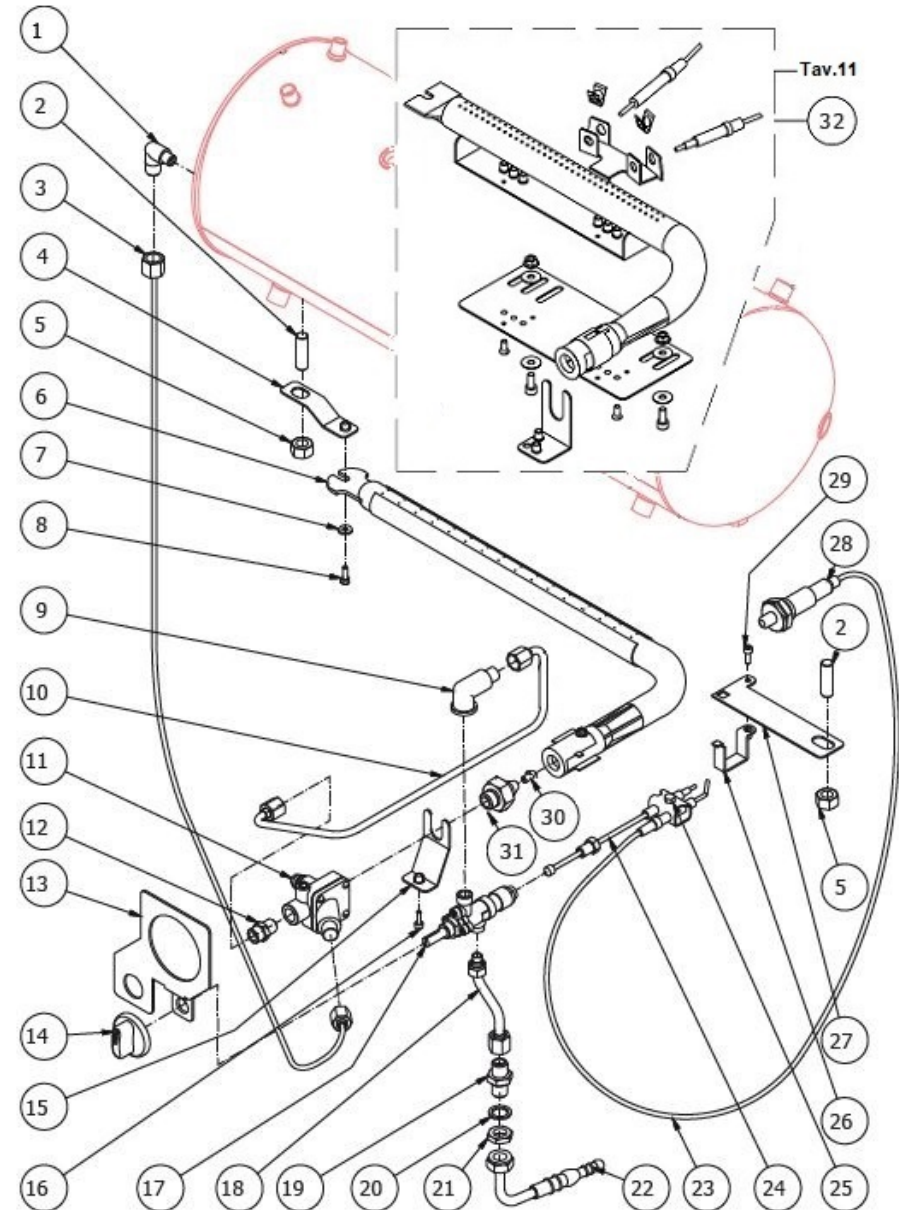


TABLE 10C - (up to 11/12/2017)
B2013 AL Gas 3GR

POS	CODE	DESCRIPTION
1	5301504TR	UNION ELBOW 1/8
2	5267012	TIE ROD M10X33 ASTM A 193 B8 C/1
3	5161022LL	BOILER-REGULATOR HOSE
4	5037824LL	LEFT SUPPORT
5	7821402	NUT M10 UNI 5587 OT
6	7400601	BURNER 3GR
7	7809804	PLAIN WASHER D4 FEZN
8	7816002	SCREW TCEI M4X12 UNI 5931 A2
9	5301524	UNION ELBOW
10	5162374LL	REGULATOR-JET/BURNER HOSE
11	7402410	GAS RG10 REGULATOR
12	5302009	STRAIGHT FITTING M12 X 1/4
13	5037847LW	TAP SUPPORT
14	7371519	KNOB
15	5037823LL	BURNER SUPPORT
16	7816002	SCREW TCEI M4X12 UNI 5931 A2
17	7403602	TAP
18	5163333LL	HOSE TAP/FITTING
19	5225308	FITTING M13X1/4"G
20	5221869	WASHER D14 X 20 X 1.5 COPPER
21	5221821	NUT 1/4
22	5163211LL	RUBBER-HOLDER HOSE
23	7400305	IGNITION CANDLE
24	7403003	THERMOCOUPLE L=600
25	5479917	CLIPS
26	5037825LL	BURNER HOLDER
27	5037827	RIGHT SUPPORT
28	7400302	PIEZO IGNITION WITH NUT
29	7816002	SCREW TCEI M4X12 UNI 5931 A2
30	7303026	INJECTOR D 1,1

TABLE 10C - (up to 11/12/2017)
B2013 AL Gas 3GR

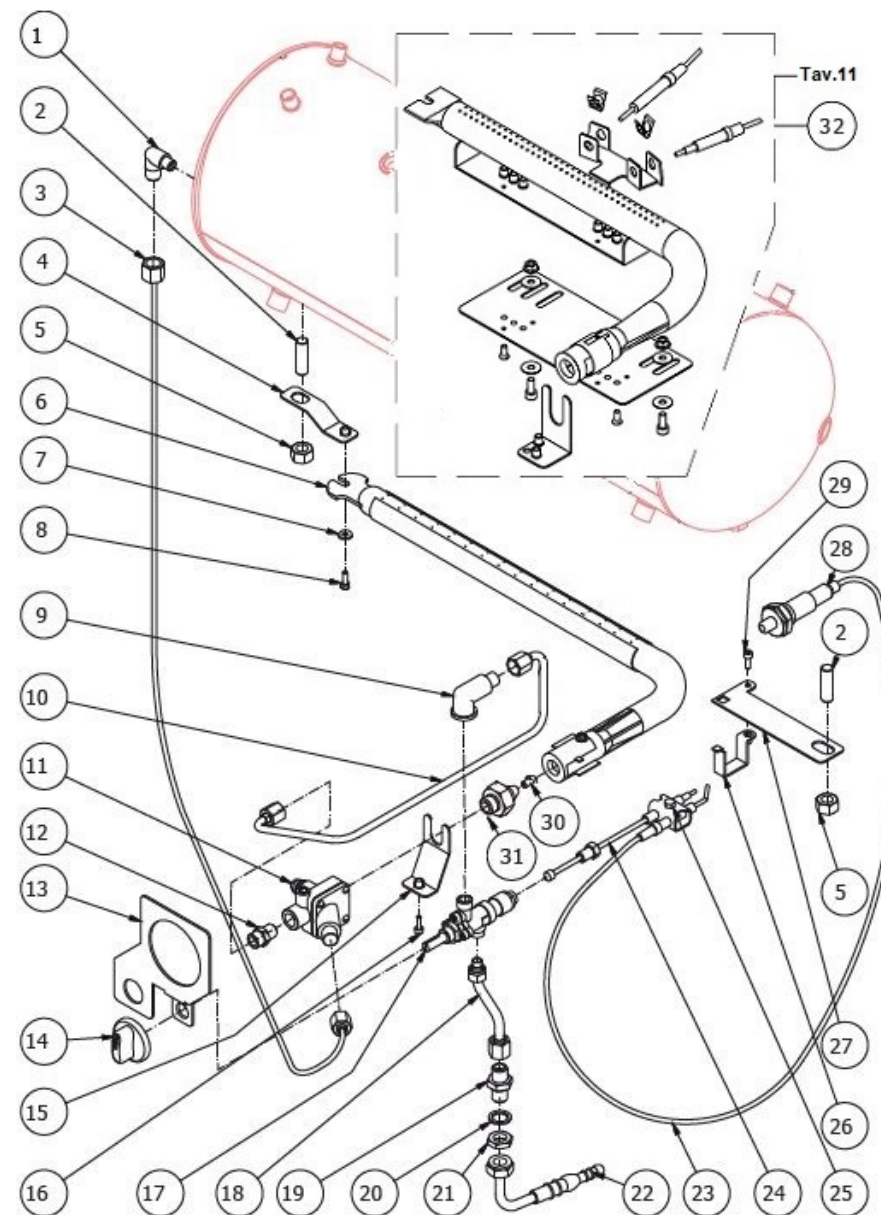
BEZZERA**B2013 AL**

TABLE 10C - (up to 11/12/2017)
B2013 AL Gas 3GR

POS	CODE	DESCRIPTION
30	7303025	INJECTOR D 0,8
31	5224416	PORTAGICLEUR 1/4
32	7400601R	BURNER 3 GROUPS WITH ADAPTER

BEZZERA**B2013 AL**

TABLE 10C - (up to 11/12/2017)
B2013 AL Gas 3GR



BEZZERA

B2013 AL

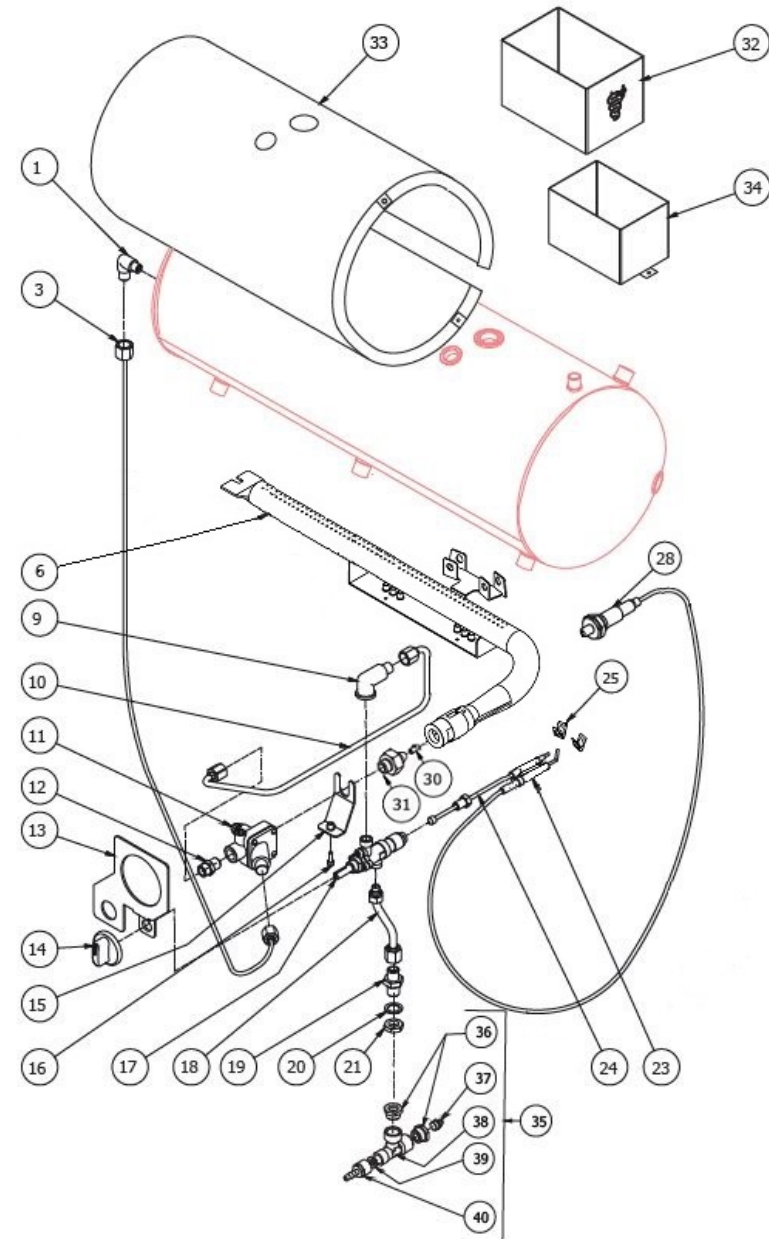
TABLE 10D - (from 12/12/2017)
B2013 AL Gas 3GR

POS	CODE	DESCRIPTION
1	5301504TR	UNION ELBOW 1/8
3	5161022LL	BOILER-REGULATOR HOSE
6	7400605.01LL	ASSY BURNER/BRACKET 3GR WELDED WITH COMPASSES
9	5301524	UNION ELBOW
10	5162374LL	REGULATOR-JET/BURNER HOSE
11	7402410	GAS RG10 REGULATOR
12	5302009	STRAIGHT FITTING M12 X 1/4
13	5037847LW	TAP SUPPORT
14	7371519	KNOB
15	5037823LL	BURNER SUPPORT
16	7816002	SCREW TCEI M4X12 UNI 5931 A2
17	7403602	TAP
18	5163333LL	HOSE TAP/FITTING
19	5225308	FITTING M13X1/4"G
20	5221869	WASHER D14 X 20 X 1.5 COPPER
21	5221821	NUT 1/4
23	7400306	CANDLE
24	7403005	THERMOCOUPLE
25	7401209	CLIPS
28	7400302	PIEZO IGNITION WITH NUT
30	7303026	INJECTOR D 1,1
30	7303051	GAS INJECTOR D1,75
31	5224416	PORTAGICLEUR 1/4
32	5099901LS	FIREPLACE POINTED
33	5033008LW	BOILER COVERING 3GR.AL
34	5059913LL	CONVEYOR 3GR. W/COMPASSES
35	5963151	ASSY TEE GAS+TEST POINT
36	5302086	FITTING 1/2
37	5302087	PRESSURE POINT 1/4
38	5300516	FITTING TEE 1/2

BEZZERA

B2013 AL

TABLE 10D - (from 12/12/2017)
B2013 AL Gas 3GR



BEZZERA**B2013 AL**

TABLE 10D - (from 12/12/2017)
B2013 AL Gas 3GR

POS	CODE	DESCRIPTION
39	5492021	GASKET D18x10x2
40	5224417	RUBBERBRING 1/2

BEZZERA**B2013 AL**

TABLE 10D - (from 12/12/2017)
B2013 AL Gas 3GR

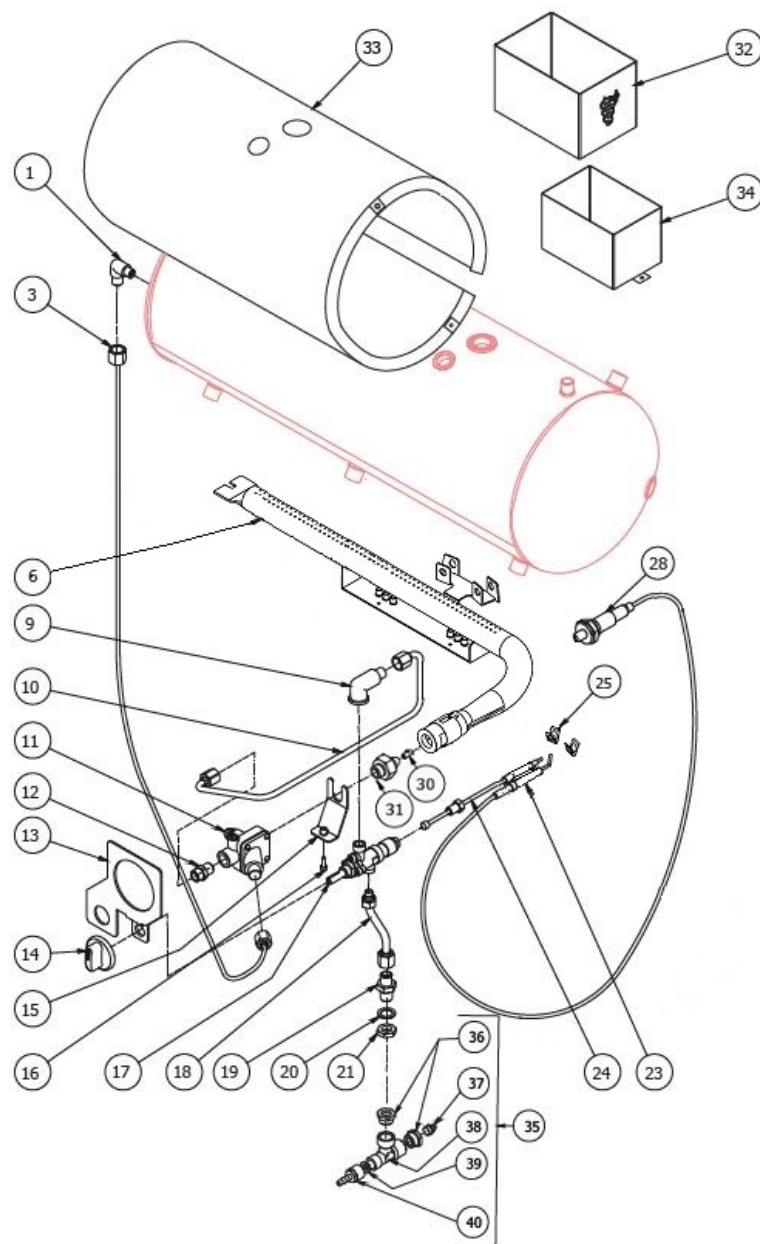
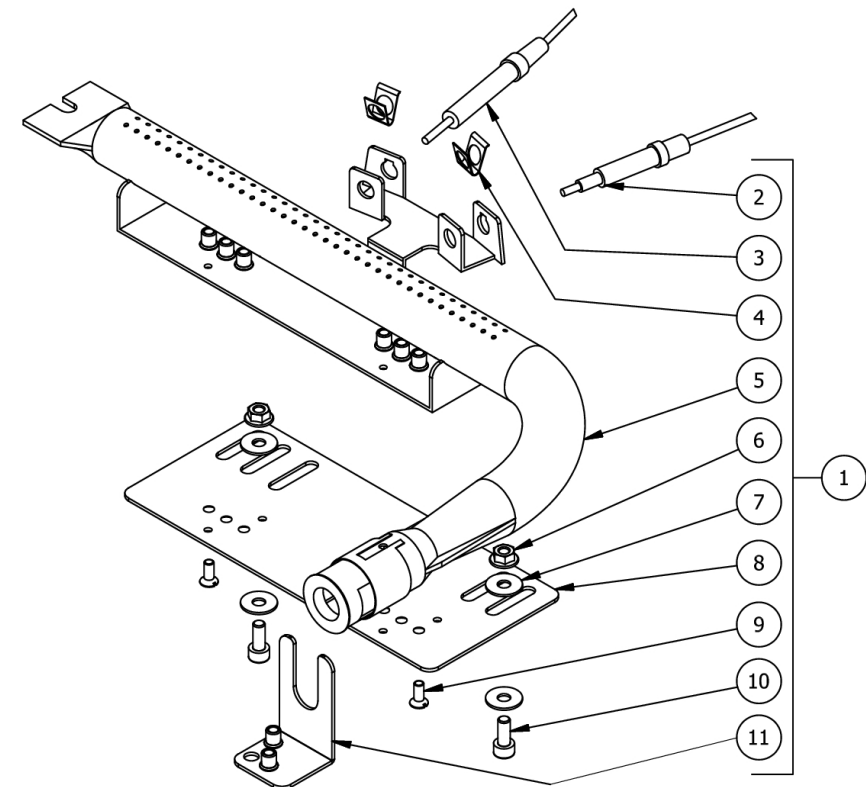


TABLE 11 - (from 07/04/2015)
B2013 AL Gas 2/3GR

POS	CODE	DESCRIPTION
1	7400604.01LL	ASSY BURNER/BRACKET 2GR WELDED WITH COMPASSES
1	7400605.01LL	ASSY BURNER/BRACKET 3GR WELDED WITH COMPASSES
2	7400306	CANDLE
3	7403005	THERMOCOUPLE
4	7401209	CLIPS
5	5037862	ADAPTER SUPPORT BURNER 2/3GR
6	7817004	SCREW TPS M4X10 DIN 963 A2
7	7816001	SCREW TCEI M5X12 UNI 5931 A2
8	5077001	WASHER D5,5X15X1 BA
9	7812704	NUT M5 FLANGED DIN6923 INOX A2
10	5037856LL	SQUAD BURNER ELL/B2013 2-3GR WITH COMPASSES
11	7816002	SCREW TCEI M4X12 UNI 5931 A2

TABLE 11 - (from 07/04/2015)
B2013 AL Gas 2/3GR





G. BEZZERA S.R.L.
MACCHINE PER CAFFÈ ESPRESSO
Via Luigi Bezzera, 1
20088 Rosate - Milano - Italy
Tel. ++39 02 90848102 r.a. - Telefax ++39 02 90870287
Web: www.bezzera.com
e-mail: admin@bezzera.it